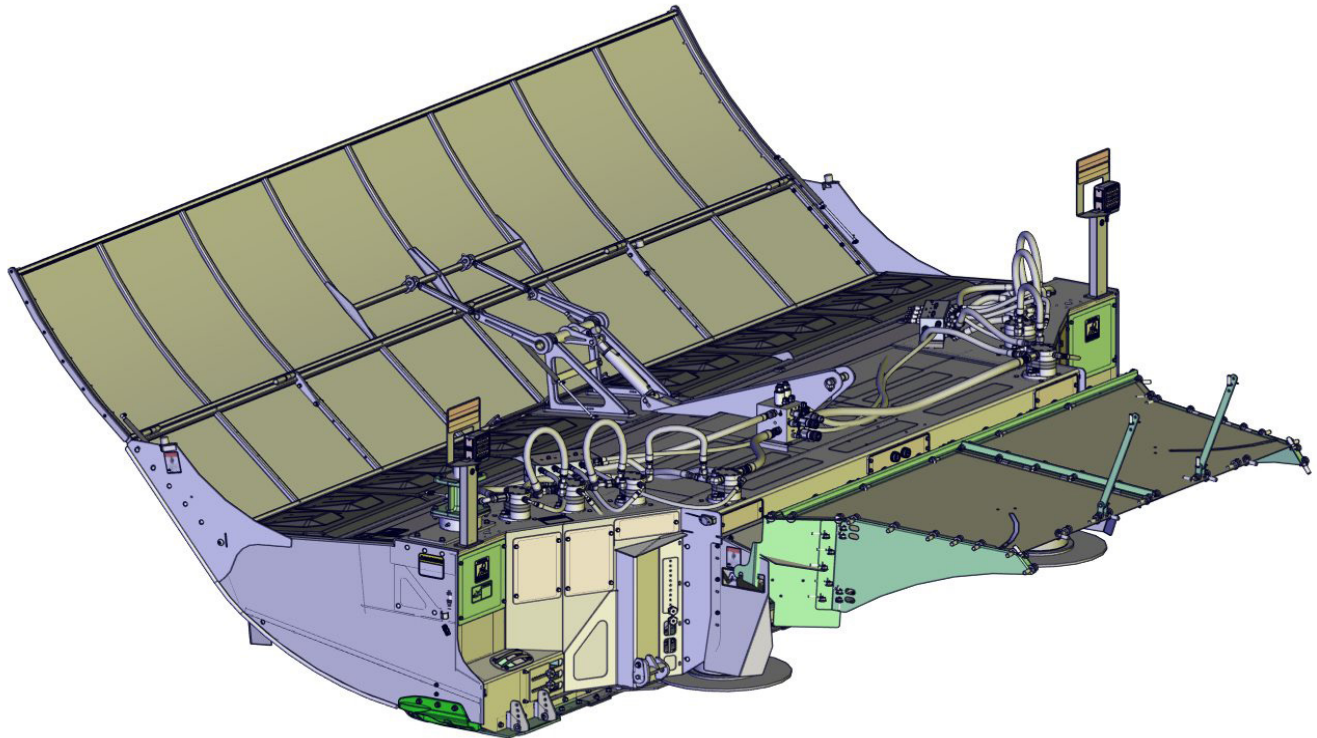


Model SC1500 Specialty Seed Header
For Serial Numbers SC1500-24001 thru SC1500-24999



Model SC1500 Specialty Seed Header Parts Manual

SN SC1500-24001 thru SC1500-24999

Rev. I

D-220308DMC01

208-937-2461
www.hillcotechnologies.com
email: support@hillcotechnologies.com



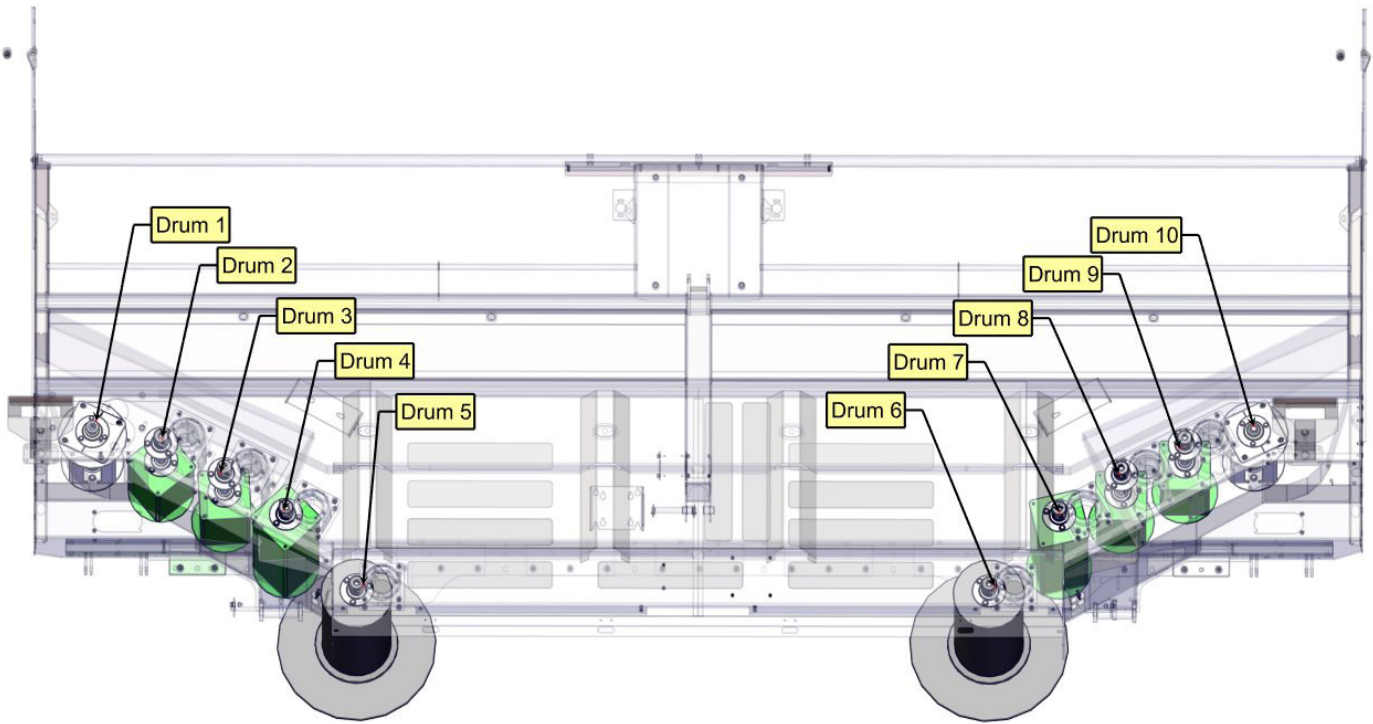
SC1500 SPECIALTY CROP PLATFORM

TABLE OF CONTENTS

DRUMS.....	3-8
Drum Locations	3
Drum 1 and Drive	4
Suspended Drums	5
Tall Drum	6
Forming Drum	7
Drum 10	8
DEFLECTOR.....	9-10
Deflector	9
Deflector Lift	10
CURTAINS AND DOORS.....	11
SHIELDS.....	12-13
CUTTERBAR AND CATCH CAN.....	14
Cutterbar mounting, skids, header mounting	15
DRUM HOSES.....	16-19
Right Hoses	16-17
Left Hoses	18-19
FRAME.....	20-23
Center Frame	21
Frame Left and Right	22
Frame Front	23
HYDRAULICS MOTORS.....	24-26
Motor Locations	24
Left Motors and Fittings	25
Right Motors and Fittings	26
MANIFOLDS.....	27-32
Center Manifold	27
Left Manifold	29
Right Manifold	31
DISPLAY.....	33
ELECTRICAL AND SCHEMATICS.....	34-54
PUMP KIT AND HYDRAULICS.....	55-58
SPRAY KIT (OPTIONAL).....	59-60
DECALS.....	61-62
SPECIALTY TOOLS.....	63

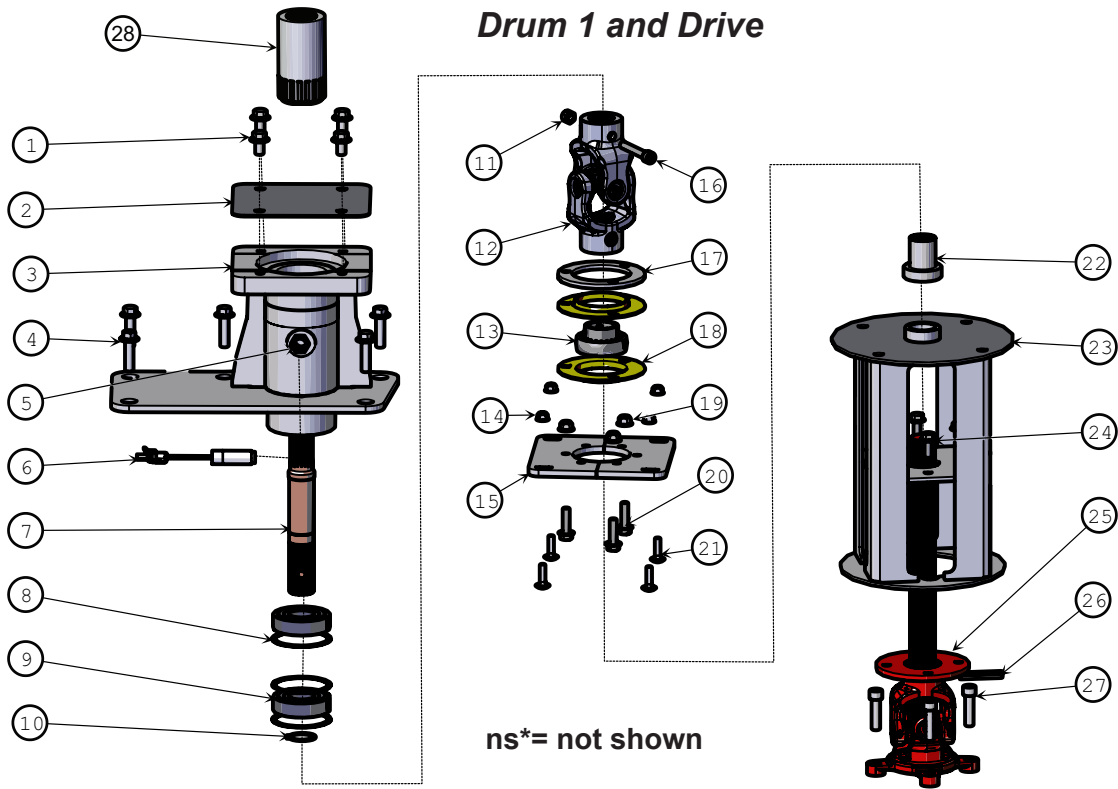
Model SC1500 Specialty Seed Header
For Serial Numbers SC1500-24001 thru SC1500-24999

Drum Location



Model SC1500 Specialty Seed Header
For Serial Numbers SC1500-24001 thru SC1500-24999

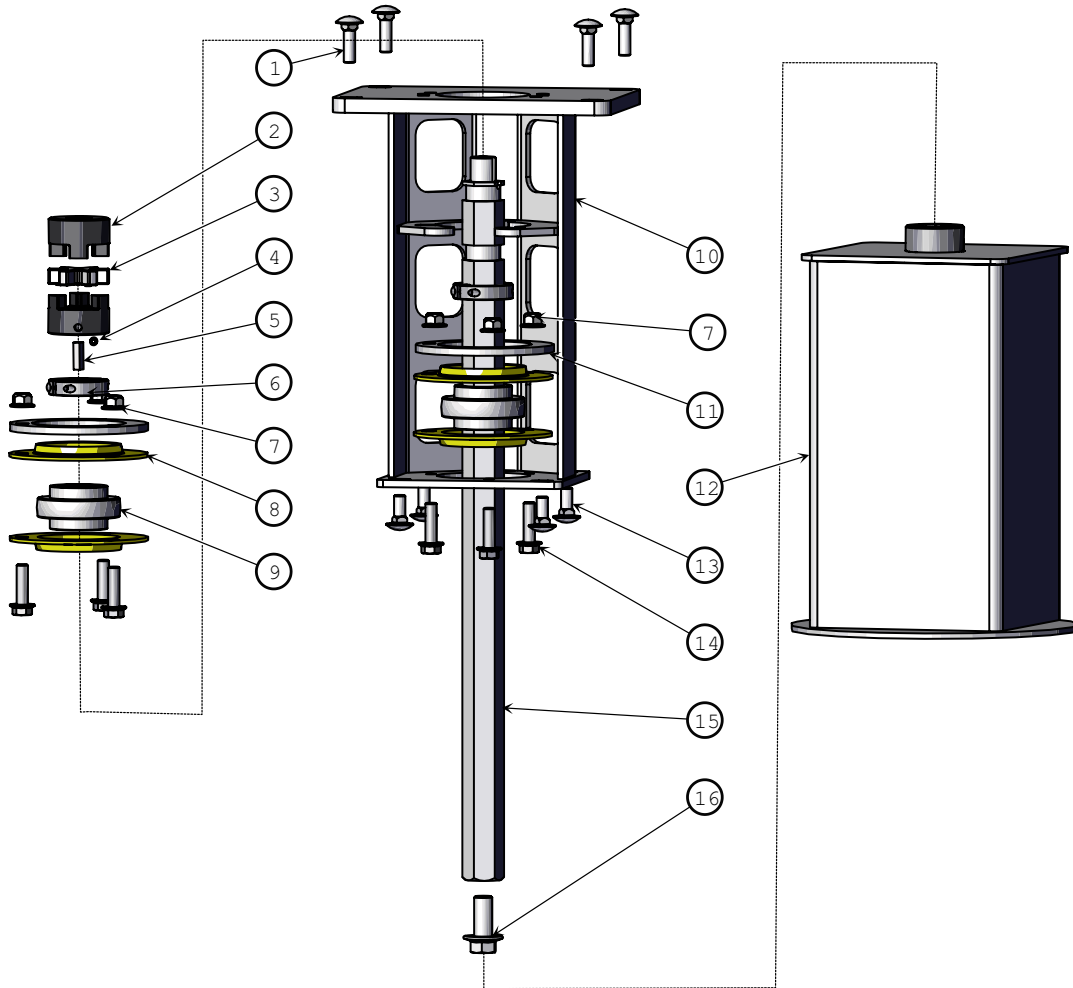
Drum 1 and Drive



BOM ID	Hillco Part No.	John Deere Part No.	Qty	Description
1	122.012.040	19M7791	4	BOLT, HEX, FLANGE, M12X40MM
2	1381241		1	MOTOR MOUNT SHIPPING COVER
3	1379771		1	MOTOR MOUNT
4	122.012.045	19M7813	5	BOLT,HEX,FLANGE,CL10.9 M12X45
5	156055	R27448	1	NUT, SPECIAL JAM,
6	156052	AFH208466	1	MAGNETIC PICKUP
7	1379682		1	UPPER DRIVESHAFT
8	156063		3	RETAINING RING, SPIRAL INTERNAL 3-1/8"BORE
9	156282		2	BEARING DGBB, 80MM OD X 35MM, DUAL SHIELD
10	268.035		1	RING, SNAP, EXT 35MM
11	126.010	14M7152	1	NUT,HEX,STOVER,CL10 M10
12	156338		1	UNIVERSAL JOINT
12*	156320	AFH212057	1	CROSS KIT (2300 SERIES)
13	100548	AZ19427	1	INSERT,BEARING 1-7/16(NON-RLUB)
14	128.008	14M7396	4	NUT,HEX,FLANGE,STOVER,CL10 M8 X 1.25
15	1368161		2	BEARING MOUNT
16	159.010.070	19M0910	1	SCREW, SOCKET HEAD CAP, CL 12.9 M10X70
17	1380351		1	FLANGE REINFORCEMENT CLAMP
18	156334	C3994E	2	3 BOLT FANGETTE, 72 MM BEARING
19	128.010	14M7298	3	NUT,HEX,FLANGE,STOVER,CL10 M10
20	122.010.035	19M7835	3	BOLT,HEX,FLANGE,CL10.9 M10X35MM
21	163.008.030	03M7186	4	BOLT CARRIAGE, CL8, M8x25MM
22	1380571		1	SPLINED SLEEVE, 1 5/16 20 TOOTH
23	1379931		1	FLANGED DRUM
24	122.010.025	19M7785	4	BOLT,HEX,FLANGE,CL10.9 M10X25MM
25	156339		1	DRIVE SHAFT half, 1 5/16 20 TOOTH SPLINE
26	201.010.060		1	PIN, ROLL M10 x 60
27	159.012.035		4	SCREW,SOCKET HEAD CAP,CL12.9 M12 X 35MM
28	156075	E96427	1	COUPLER, MOTOR TO HEADER
ns*	1379751		1	WASHER, SHEAR HUB

Model SC1500 Specialty Seed Header
For Serial Numbers SC1500-24001 thru SC1500-24999

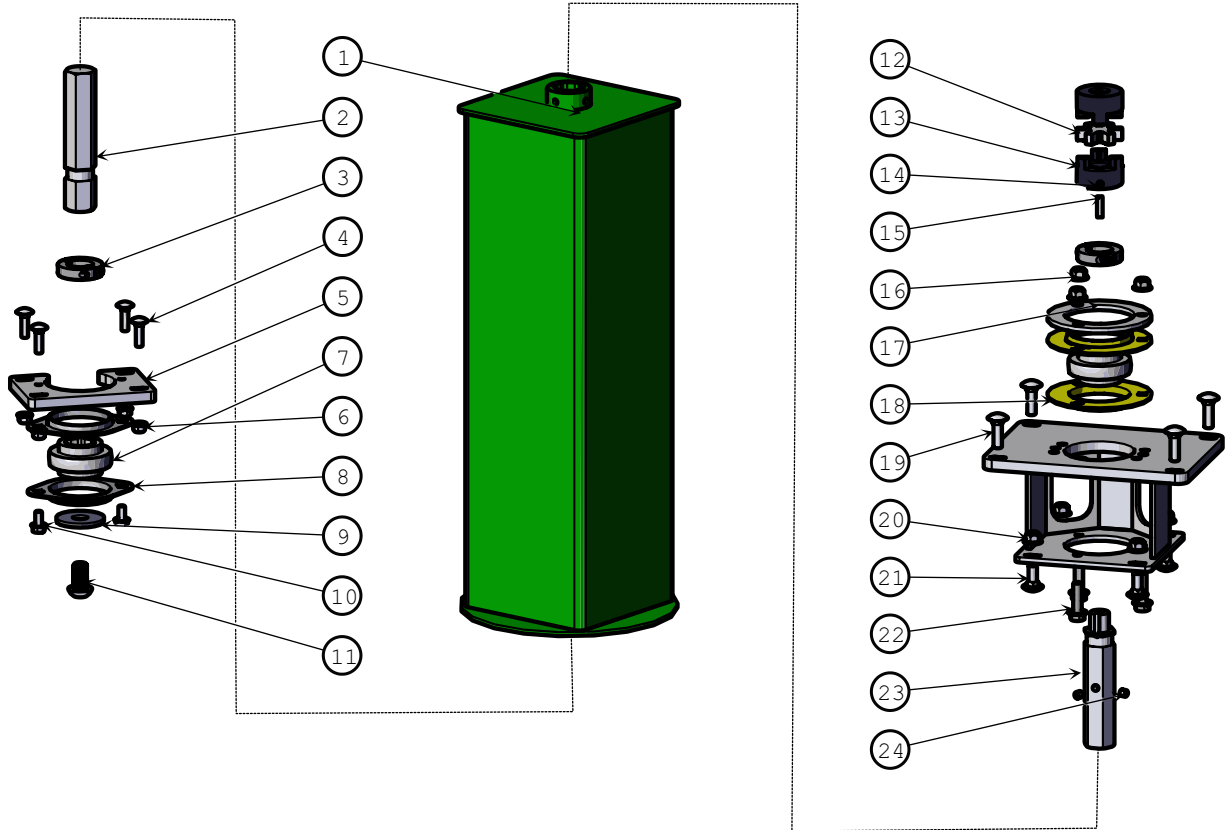
Suspended Drums



BOM ID	Hillco Part No.	John Deere Part No.	Qty	Description
1	163.010.035	03M7193	4	BOLT,CARRIAGE,CL8.8 M10X35MM
2	155979		2	COUPLER,JAW, 7/8B, 1/4"X1/8"KW
3	155980		1	L TYPE SPIDER, SOLID CENTER,
4	158.004.008		2	SCREW,SOCKET,SET 1/4-20 X 1/2
5	10064.04.00015		1	KEYSTOCK,SQ 1/4" x1/4" X.9375"
6	155955		2	TWO-PIECE CLAMP-ON SHAFT COLLAR 1-3/16" BORE
7	128.010		6	NUT,HEX,FLANGE,STOVER,CL10 M10
8	156334	C3994E	4	3 BOLT FANGETTE, 72MM BEARING (ORDER AS 1381411)
9	156111	AE37057	2	BEARING, INSERT, 1-1/4 HEX (ORDER AS 1381411)
8&9	1381411		1	3 BOLT FLANGETTE AND 72MM BEARING
10	1380511		1	BEARING CARTRIDGE, TALL
11	1380351		2	FLANGE REINFORCEMENT CLAMP
12	1379121		1	CONVERGING DRUM, MIDDLE
13	163.010.025	03M7191	4	BOLT, CARRIAGE,CL8.8 M10X25MM
14	122.010.035	19M7835	6	BOLT,HEX,FLANGE,CL10.9 M10X35MM
15	1369164		1	DRUM SHAFT
16	122.016.035	19M7843	1	BOLT,HEX:FLANGE, CL10.9 M16 X 35MM

Model SC1500 Specialty Seed Header
For Serial Numbers SC1500-24001 thru SC1500-24999

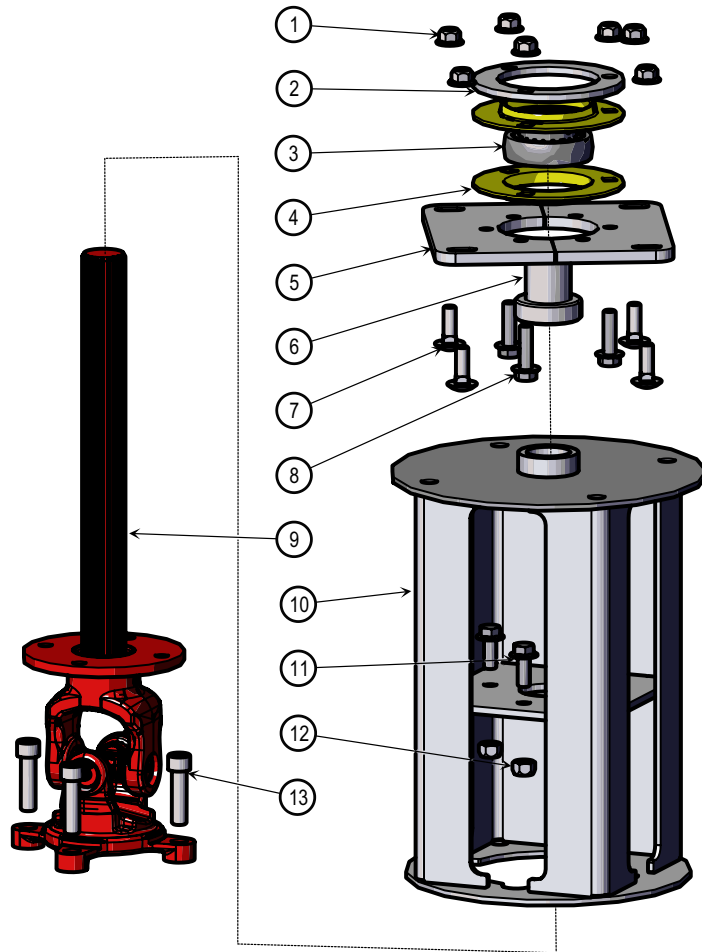
Tall Drum



BOM ID	Hillco Part No.	John Deere Part No.	Qty	Description
1	1363527		1	DRUM, TALL
2	1368174		1	IDLER SHAFT
3	155955		2	TWO-PIECE CLAMP-ON SHAFT COLLAR 1-3/16" BORE
4	163.008	03M7187	4	BOLT CARRIAGE, CL8, M8x25MM
5	1369452		1	TALL DRUM BEARING MNT
6	128.008	14M7298	4	NUT,HEX,FLANGE,STOVER,CL10 M8 X 1.25
7	156111	AE37057	2	BEARING, INSERT, 1-1/4 HEX (ORDER AS 1381421)
8	153111	H76961	2	FLANGETTE, 2-BOLT, 72MST (ORDER AS 1381421)
7&8	1381421		1	2 BOLT FLANGETTES AND 72MM BEARING
9	143641	24M7103	1	WASHER,FLT 17.5 X 56 X 5MM
10	122.008.016	19M7865	2	BOLT,HEX,FLANGE,CL10.9 M8X16
11	206.016.030		1	SCREW, BUTTONE HEAD CAP, CL12.9 M16X30MM
12	155980		1	SOLID CENTER, L090 SPIDER
13	155979		2	COUPLER, JAW 7/8"BORE; 1/4"x1/8" KEYWAY
14	158.004.008		2	SCREW,SKT,SET 1/4-20 X 1/2
15	10064.04.00015		1	KEYSTOCK,SQUARE 1/4" x1/4" X.9375"
16	128.010	H135891	7	NUT,HEX,FLANGE,STOVERV,CL10 M10
17	1380351		1	FLANGE REINFORCEMENT CLAMP
18	156334	C3994E	2	3 BOLT FLANGETTE, 72 MM BEARING
7&18	1381411		1	3 BOLT FLANGETTES AND 72MM BEARING
19	163.010.035	03M7193	4	BOLT,CARRIAGE,CL8.8 M10X35
20	1380521		1	BEARING CARTRIDGE, SHORT
21	163.010.025	03M7191	4	BOLT, CARRIAGE,CL8.8 M10X25
22	122.010.035	14M7296	3	BOLT,HEX,FLANGE,CL10.9 M10X35
23	1363603		1	DRUM SHAFT
24	158.005.005		2	SCREW,SKT,SET 5/16-18X5/16

Model SC1500 Specialty Seed Header
For Serial Numbers SC1500-24001 thru SC1500-24999

Drum 10

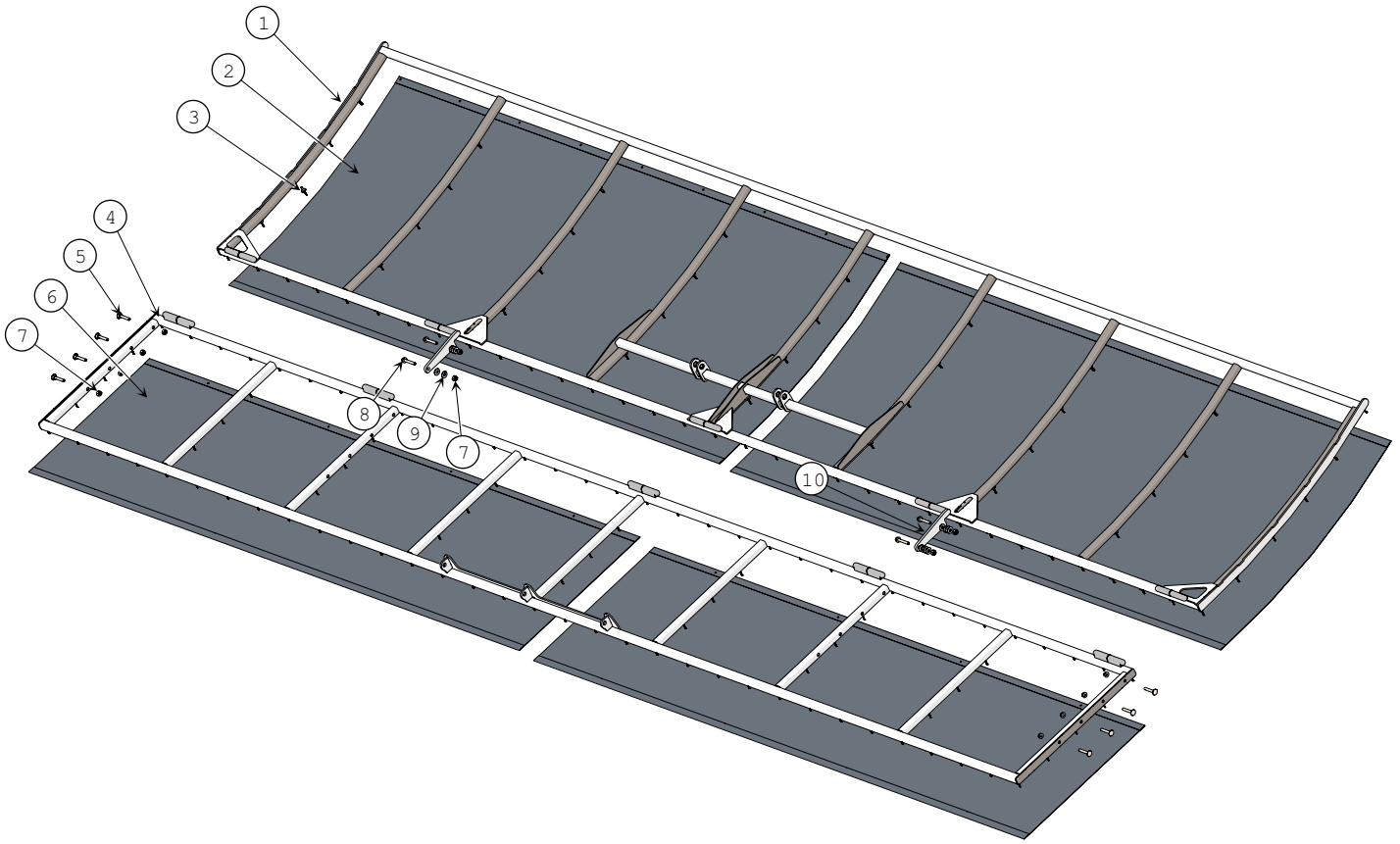


ns*= not shown

BOM ID	Hillco Part No.	John Deere Part No.	Qty	Description
1	128.010	14M7296	7	NUT,HEX,FLANGE,STOVER,CL10 M10
2	1380351		1	FLANGE REINFORCEMENT CLAMP
3	100548		1	INSERT,BEARING 1-7/16(NON-RLUB)
4	156334		2	3 BOLT FLANGETTE, 72 MM BEARING
5	1368161		2	BEARING MNT
6	1380571		1	SPLINED SLEEVE MACHINED DOWN, 20T 1-5/16" SPLINED SLEEVE
7	163.010.030	03M7192	4	BOLT,CARRIAGE,CL8.8 M10X30
8	122.010.035	19M7835	3	BOLT,HEX,FLANGE,CL10.9 M10X35
9	156339		1	DRIVE SHAFT half, 1 5/16 20 TOOTH SPLINE
10	1379931		1	FLANGED DRUM
11	122.010.025	19M7785	4	BOLT,HEX,FLANGE,CL10.9 M10X25
12	126.010		4	STOVER,CL10 M10
13	159.012.045	19M8395	4	SCREW,SOCKET HEAD CAP,CL12.9 M12X45MM
ns*	1379751		1	WASHER, SHEAR HUB

Model SC1500 Specialty Seed Header
 For Serial Numbers SC1500-24001 thru SC1500-24999

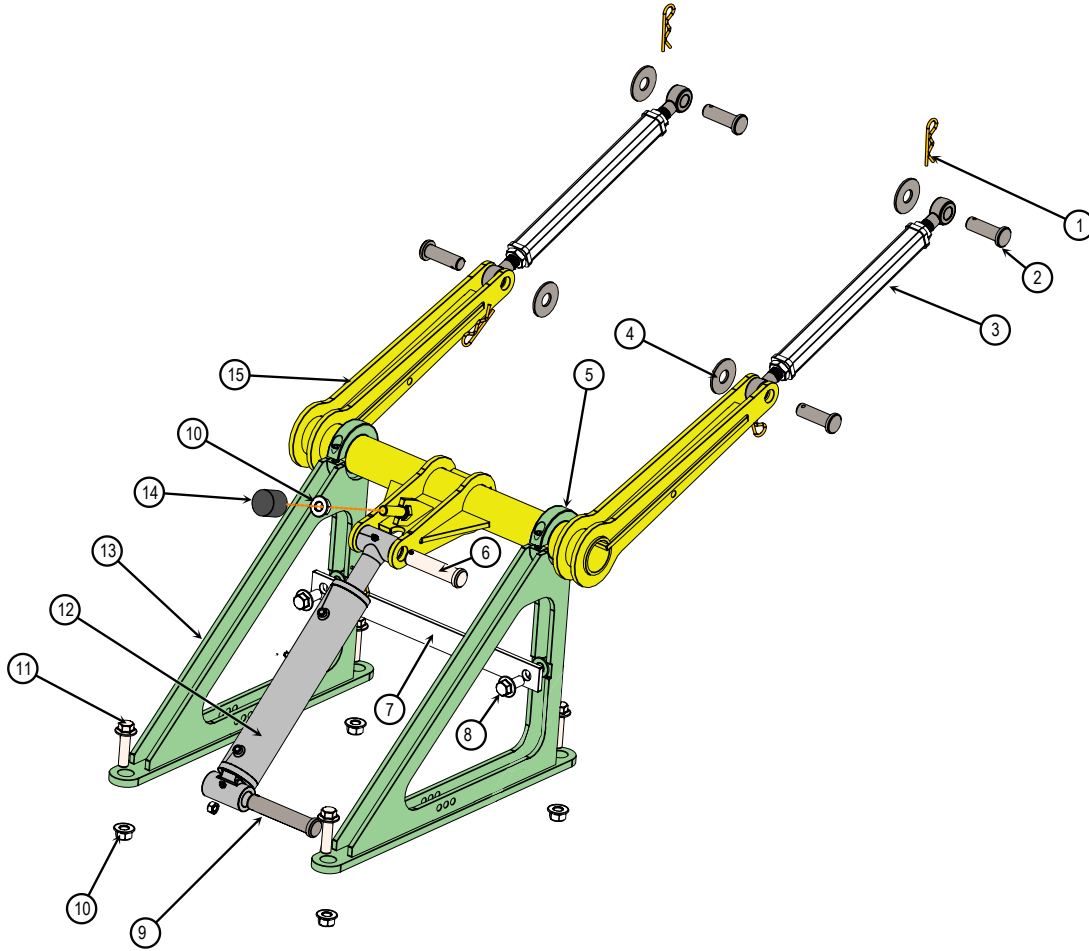
Deflector



BOM ID	Hillco Part No.	John Deere Part No.	Qty	Description
1	1362552		1	DEFLECTOR, UPPER, COMPLETE
2	1362622		2	SKIN, UPPER DEFLECTOR
3	156232		102	RIVET, ZINC-PLATED, .65DIA HEAD, 3/16"STEM
4	1362502		1	DEFLECTOR, LOWER
5	163.008.050	14M7298	8	BOLT CARRAIGE, CL8, M8x25MM
6	1362542		2	SKIN, LOWER DEFLECTOR
7	123.008	03M7216	12	NUT, HEX,FLANGE, CL 10.9, M8x1.25
8	122.008.050	19M8319	4	SKIN, LOWER DEFLECTOR
9	105.005		16	WASHER 5/16"
10	1375041		2	DEFLECTOR STOP

Model SC1500 Specialty Seed Header
For Serial Numbers SC1500-24001 thru SC1500-24999

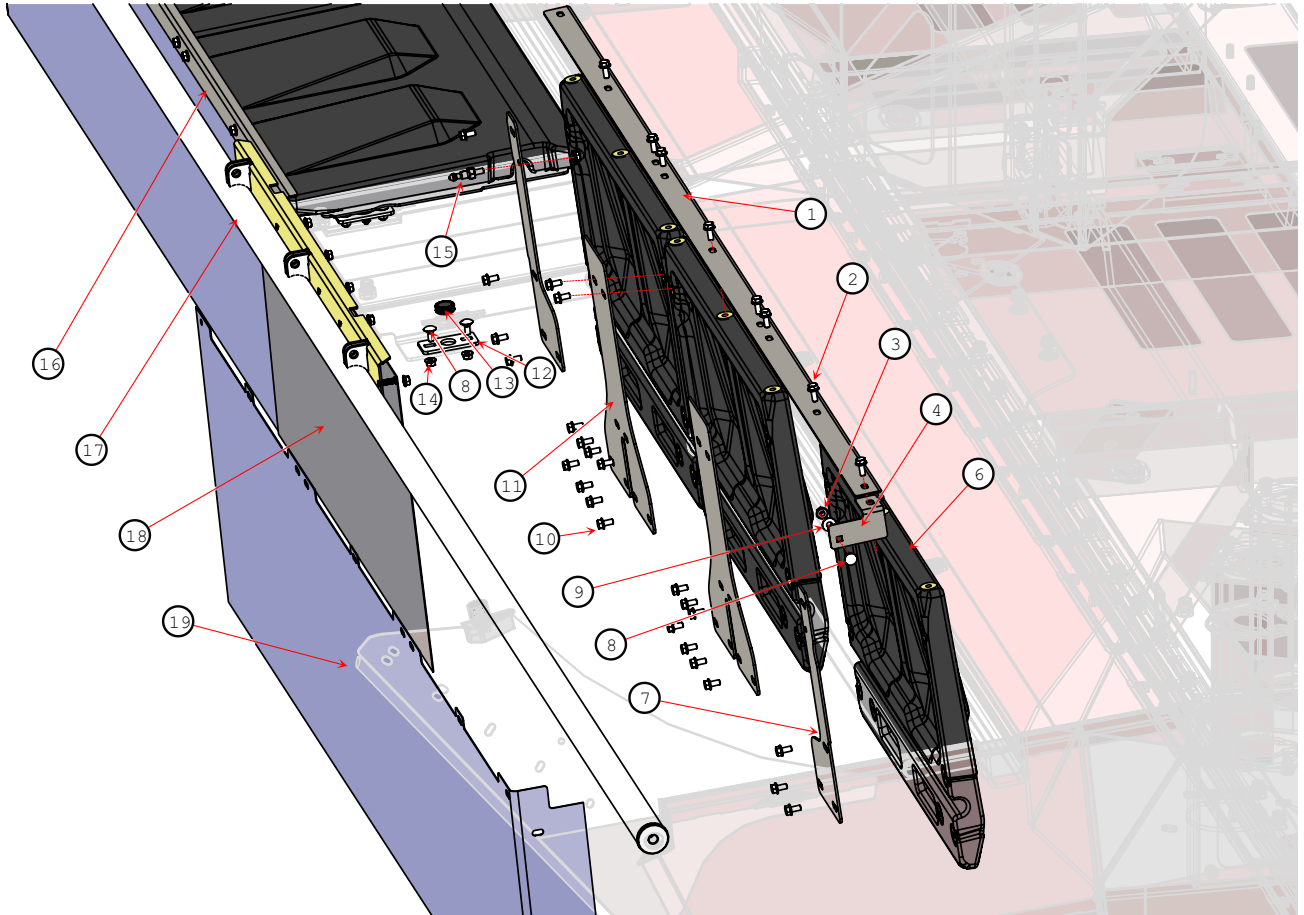
Deflector Lift



BOM ID	Hillco Part No.	John Deere Part No.	Qty	Description
1	144.010.038	PM00010	6	PIN,HITCH,CLIP 1/8" X 5/8" EYE DIA X 2-3/8" LENGTH
2	234.16.041		4	PIN, CLEVIS, M16x41MM USABLE LENGTH W/4MM HOLE
3	1375411		2	UPPER LINKAGE
4	105.010		4	WASHER,FLT 5/8
5	156207		2	COLLAR, SHAFT, TWO-PIECE CLAMPING 1-7/8"DIA
6	141.012.044		1	WASHER,3/4"x2-3/4"USABLE LENGTH W/5/32"HOLE
7	1375771		1	STRAP, PIVOT TOWER
8	122.012.025	19M7788	2	BOLT,HX,FL,CL10.9 M12X25
9	141.012.056		1	PIN, CLEVIS 3/4"x3-1/2"USEABLE LENGTH W/5/32" HOLE
10	123.012	14M7299	5	NUT,HX,FL,CL10 M12
11	122.012.045	19M7813	4	BOLT,HX,FL,CL10.9 M12X45
12	155690		1	CYLINDER, 1" ROD, 6" STROKE, 14" CPC
13	1375511		2	PIVOT TOWER
14	156202		1	BUMPER,NEOPRENE, M12x1.75MM,DUROMETER 70A
15	1375441		1	PIVOT ARM

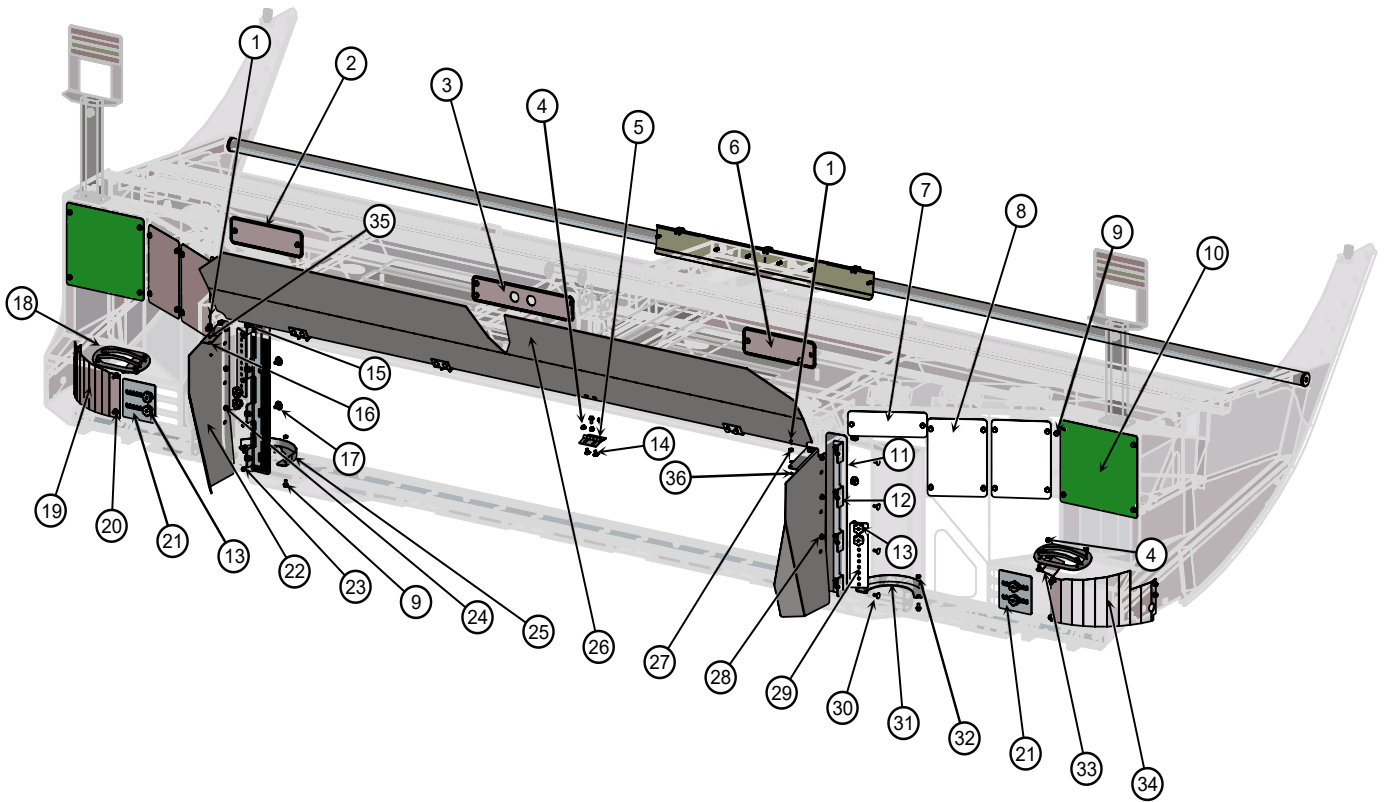
Model SC1500 Specialty Seed Header
For Serial Numbers SC1500-24001 thru SC1500-24999

Curtains and Doors



BOM ID	Hillco Part No.	John Deere Part No.	Qty	Description
1	1363101	FH320640	1	CLAMP, LEFT, CURTAIN
2	122.008.020	19M7866	18	BOLT, HEX, FLANGE, CL10.9 M8 X 20MM
3	127.008	14M7400	2	NUT, HEX, FLANGE, NYLOCK, CL10 M8X1.25
4	1363161	FH325310	1	CORNER MOUNT, CURTAIN LEFT
NS*	1363171	FH325311	1	CORNER MOUNT, CURTAIN, RIGHT
6	156162	FH30090	6	DOOR, 2 PANEL
7	1363141	FH324044	4	EDGE SUPPORT, ACCESS PANEL
8	163.008.020	03M7184	6	BOLT, CARRIAGE, CL8.8 M8 X 20MM
9	105.005		4	WASHER, FLAT 5/16
10	122.008.016	19M7865	48	BOLT, HEX, FLANGE, CL10.9 M8 X 16MM
11	1363151	FH10468	4	CENTER SUPPORT, ACCESS PANEL
12	1364001	FH324046	2	GROMMET PLATE
13	156034	M162701	2	GROMMET
14	123.008	14M7298	12	NUT, HEX, FLANGE, CL10 M8
15	156035	FH324047	2	PIN, ANNULAR LOCK PIN
16	1363111	FH320641	1	CLAMP, RIGHT, CURTAIN
17	1373841		1	FRONT BRACE
18	156040	FH325585	1	SHIELD, (CENTER CURTAIN)
19	156039	FH325586	2	SHIELD, (LH & RH CURTAIN)

Model SC1500 Specialty Seed Header
For Serial Numbers SC1500-24001 thru SC1500-24999
Shields



Model SC1500 Specialty Seed Header
For Serial Numbers SC1500-24001 thru SC1500-24999

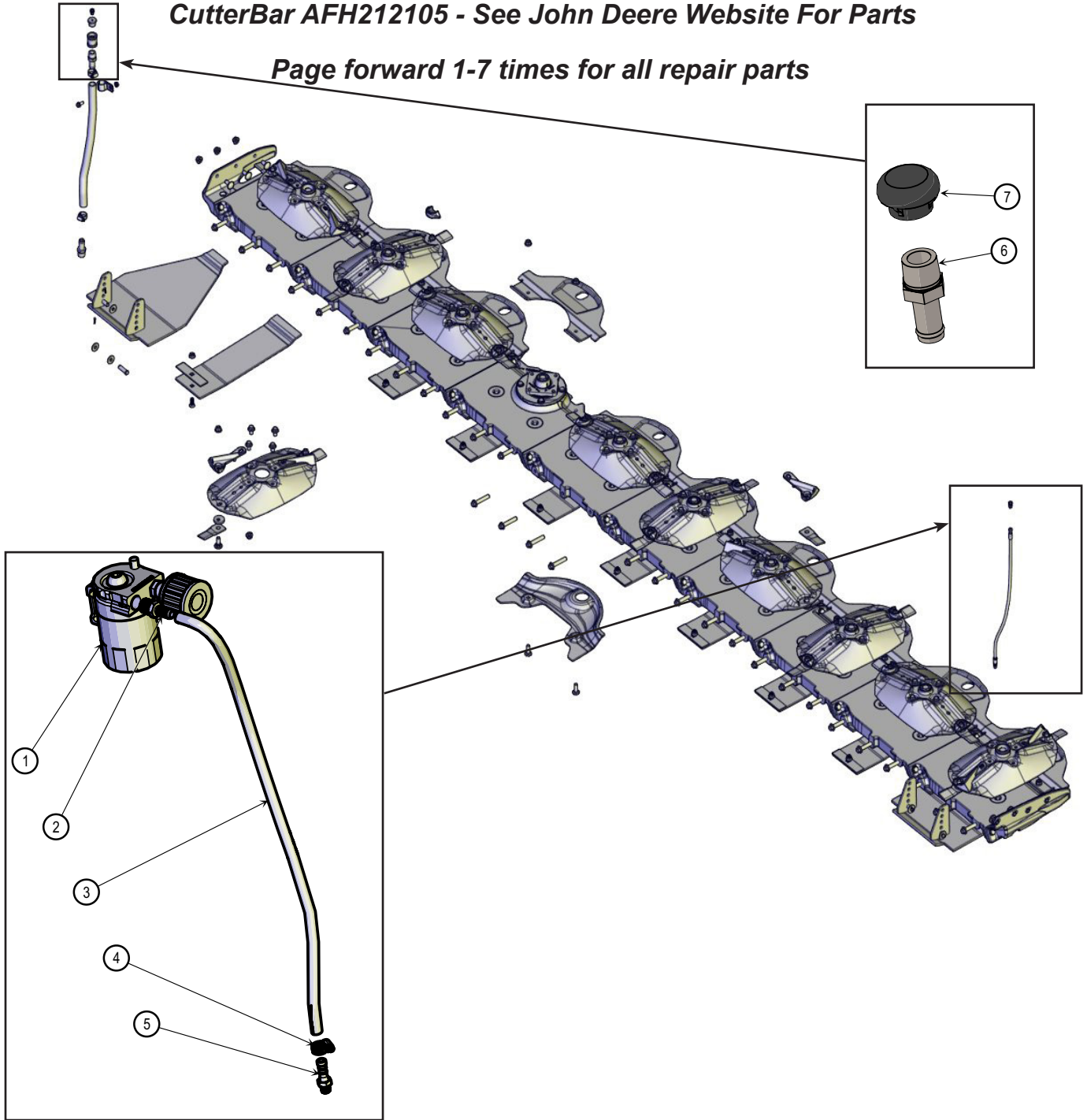
Shields

BOM ID	Hillco Part No.	John Deere Part No.	Qty	Description
1	114.#06.008		2	SCREW,PHM,CH 6-32X1/2
2	1376321		2	ACCESS PANEL, ROLLING GUIDE
3	1376291		1	ACCESS DOOR, CONTROLLER
4	123.008	14M7298	20	NUT, HEX, FLANGE, CL10 M8
5	156031	AE42346	4	HINGE
6	1364192		1	ACCESS PANEL, ROLLING GUIDE
7	1368092		2	TALL DRUM ACCESS DOOR
8	1368102		4	MIDDLE DRUM ACCESS DOOR
9	163.008.020	03M7184	52	BOLT, CARRIAGE, CL8.8 M8 X 20MM
10	1363342		2	OUTER DRUM ACCESS DOOR
11	1369272		2	FLAP, UHMW, BLACK 3/16-10062
12	1369262		2	FLAP MOUNT
13	156177		8	KNOB, PLASTIC, SIX ARM GRIP
14	163.008.016	03M7183	8	BOLT, CARRIAGE, CL8.8 M8 X 16MM
15	128.008	14M7298	15	NUT,HX,FL,STV,CL10 M8 X 1.25
17	157.005.016	19H1905	8	BOLT, ELEVATOR, 5/16-18 X 1"L
18	1379271		2	INLET GRATE
19	1359351		1	CORNER WALL, LEFT
20	163.008.025	03M7185	2	BOLT,CARRIAGE,CL8.8 M8 X 25MM
21	1379281		2	OUTER DAMPER
22	1367871		1	CHUTE SHIELD, LEFT
23	187.005	K40002	8	NUT, HEX, NYLOCK, GR8 5/16
24	122.008.020	19M7866	7	BOLT, HEX, FLANGE, CL10.9 M8 X 20MM
25	1374592		1	FENCE, LEFT
26	1363422		1	REAR SHIELD
27	156032		2	BUMPER,UNTHREADED, TAPERED RND, 43/64"ODx1/4"HIGH
28	1367911		1	CHUTE SHIELD, RIGHT
29	1368083		2	INNER DAMPENER
30	163.008.020	03M7184	19	BOLT, CARRIAGE, CL8.8 M8 X 20MM
31	1374622		1	FENCE, RIGHT
32	123.008	14M7298	2	NUT, HEX, FLANGE, CL10 M8
33	1376331		2	DEFLECTOR, GRATE
34	1359361		1	CORNER WALL,RIGHT
35	264.008		2	STAINLESS STEEL INTERNAL TOOTH LOCK WASHER
36	119.#06		2	NUT, HEX, FLANGE, SERRATED 6-32

CutterBar and Catch Can

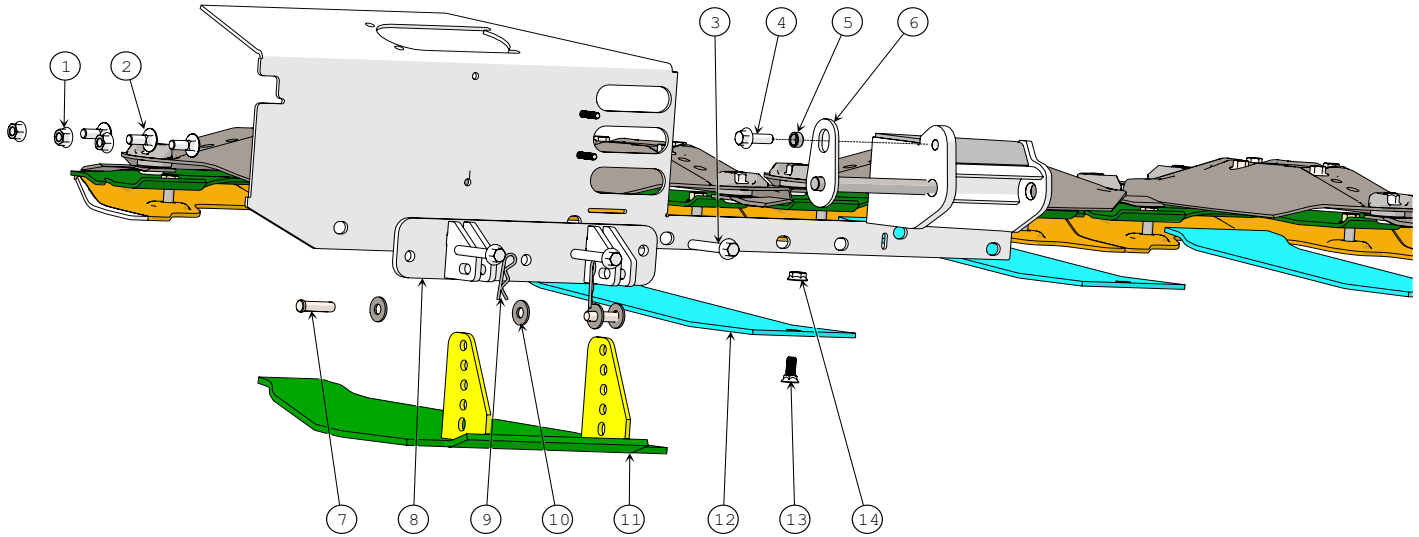
CutterBar AFH212105 - See John Deere Website For Parts

Page forward 1-7 times for all repair parts



BOM ID	Hillco Part No.	Qty	John Deere Part No.	Description
1	156289	1		OIL CATCH CAN
2	1090.06.06	1		BARBED HOSE FITTING FOR CHEMICALS AND PETROLEUM
3	10318.00615	1		BUNA-N RUBBER; 3/8"ID x 24-1/4"L
4	156294	1		WORM-DRIVE, 7/32" TO 5/8"
5	1090.02.06	1		1/8"NPT x 3/8"BARB STR
6	156058	1	H33801	FITTING,HOSE,STR,M19X-12MBARB
7	156286	1		VENT, BREATHER, WEATHER RESISTANT, 3/4NPT

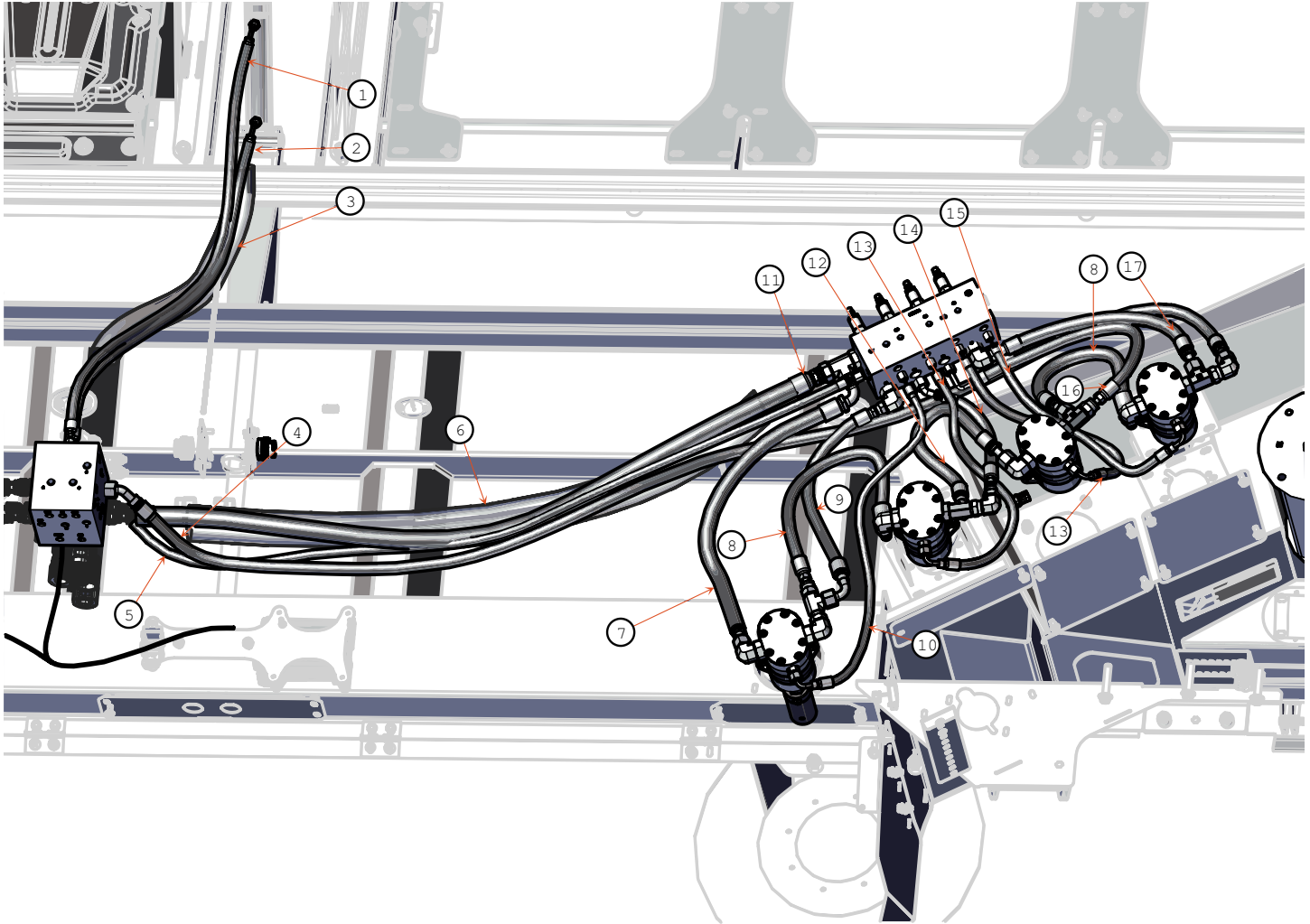
Model SC1500 Specialty Seed Header
 For Serial Numbers SC1500-24001 thru SC1500-24999



BOM ID	Hilco Part No.	Qty	John Deere Part No.	Description
1	123.012	3		NUT,HEX,FLANGE,CL10 M12
2	163.012.030	3		BOLT,CARRAIGE,CL8.8 M12X30MM
3	122.012.075	3		BOLT, HEX,FLANGE, CL 10.9 M12X75MM
4	122.012.035	1		BOLT,HEX,FLANGE,CL10.9 M12X35MM
5	1364061	1		BUSHING, LIFT PIN
6	1367981	1		LIFT PIN
7	141.008.028	4		PIN, CLEVIS 1/2 X 1.75"
8	1380611	1		SKID PLATE MOUNT
9	144.010.038	4		PIN,HITCH,CLIP 1/8" X 5/8" EYE DIA X 2-3/8" LENGTH
10	105.008	8	24M7047	WASHER,FLAT 1/2"
11	156060	1	AE56948	SHOE GAUGE
12	156061	8	FH312151	PLATE, SKID,
13	244.007.020	1		BOLT,PLOW, #3 SQUARE-NECK 7/16-14x1-1/4"
14	119.007	1		NUT,HEX,FLANGE,SERRATED 7/16-14

Model SC1500 Specialty Seed Header
For Serial Numbers SC1500-24001 thru SC1500-24999

Hydraulic Hoses (Right)



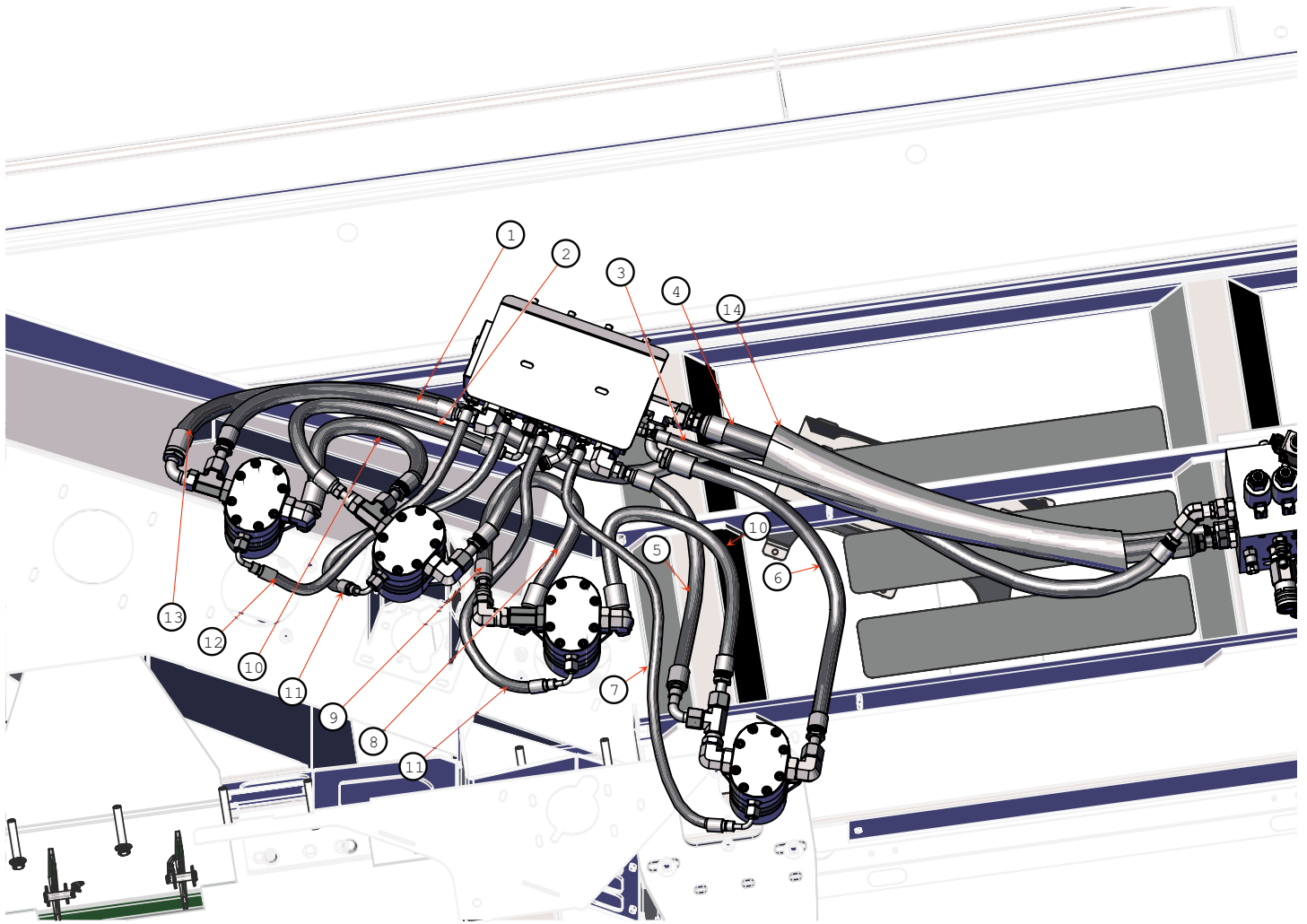
Model SC1500 Specialty Seed Header
For Serial Numbers SC1500-24001 thru SC1500-24999

Hydraulic Hoses (Right)

BOM ID	Hillco Part No.	HoseDescription	Qty	Description
1	1377571	ROD PORT OF DEFLECTOR CYL TO "A" PORT OF CENTER MANIFOLD	1	100R17AR-04x43-1/2"; -04FORS STR x - 04FORS 90°D21MM
2	1377561	BASE PORT DEFLECTOR CYL TO "B" PORT CENTER MANIFOLD	1	100R17AR-04x35-1/2";-04FORFS STR x- 04FOFS 90°D21MM
3	10115.00512	XAS-B-35	1	SLEEVE, ABRASION, 2.19IDX32",NYLON
4	1368443	CONNECTS CENTER MANIFOLD "P" PORT TO THE #9 MOTOR "P" PORT	1	100R17AR-10x99";-10FORS STR x - 10FORS 45°
5	1368433	CONNECTS CENTER MANIFOLD "CD3" PORT TO RIGHT MANIFOLD "CD" PORT	1	100R17AR-10x99";-10FORS STR x - 10FORS 45°
6	10123.00864	XAS-B-35	1	SLEEVE, ABRASION 2.80ID X 54", NYLON
7	1376051	CONNECTS #6 MOTOR RETURN TO RIGHT MANIFOLD RETURN TEE	1	100R17AR-10x25-1/2" -10FORS STR X- 12FORS 90°D48MM
8	1368223	CONNECTS #6 MOTOR "P" TEE TO #7 MOTOR "T" PORT	1	100R17AR-10x23" -10FORS STR X - 10FORS 90°D32MM
8	1368223	CONNECTS #8 MOTOR "P" TEE TO #9 MOTOR "T" PORT	1	100R17AR-10x23" -10FORS STR X - 10FORS 90°D32MM
9	1379421	CONNECTS MOTOR 6 "P" TEE TO RIGHT MANIFOLD "P4"	1	100R17-10x20-1/2,-8FORS STR x- 10FORS90°D32MM
10	1376081	CONNECTS MOTOR 6 CD TO RIGHT MANIFOLD CD4 PORT	1	100R17AR-04x36";-06FORS STRx- 06FORS 90°D23mm
11	1368424	CONNECTS RIGHT MANIFOLD R PORT TO CENTER MANIFOLD R2 PORT	1	100R17AR-12x63";-10FORS STR x - 12FORS STR
12	1379391	CONNECTS MOTOR 7 "P" TEE TO MOTOR 8 "T" PORT	1	100R17AR-10x22-1/2",-10FORS STR x - 10FORS 45°
13	1368303	CONNECTS MOTOR 8 "CD" PORT TO RIGHT MANIFOLD "C2" PORT	1	100R17AR-4x21"; -6FORS STR x - 6FORS90°D23MM
13	1368303	CONNECTS MOTOR 7 "CD" PORT TO RIGHT MANIFOLD "C3" PORT	1	100R17AR-4x21"; -6FORS STR x - 6FORS90°D23MM
14	1379411	CONNECTS MOTOR 7 "P" TEE TO RIGHT MANIFOLD "P3"		100R17AR-8x15-1/2",-10FORS STR x- 8FORS 45°
15	1368303	CONNECTS MOTOR 9 "CD" TO RIGHT MANIFOLD "C1"		100R17AR-4x21"; -6FORS STR x - 6FORS90°D23MM
16	1379401	CONNECTS MOTOR 8 "P" TEE TO RIGHT MANIFOLD "P2"		100R17AR-8x24-1/2",-10FORS STR x- 8FORS 90° D64mm
17	1376022	CONNECTS MOTOR 9 "P" TEE TO RIGHT MANIFOLD "P1"		100R17AR-08x21-1/2",-08FORS STRx- 10FORS STR

Model SC1500 Specialty Seed Header
For Serial Numbers SC1500-24001 thru SC1500-24999

Hydraulic Hoses (Left)



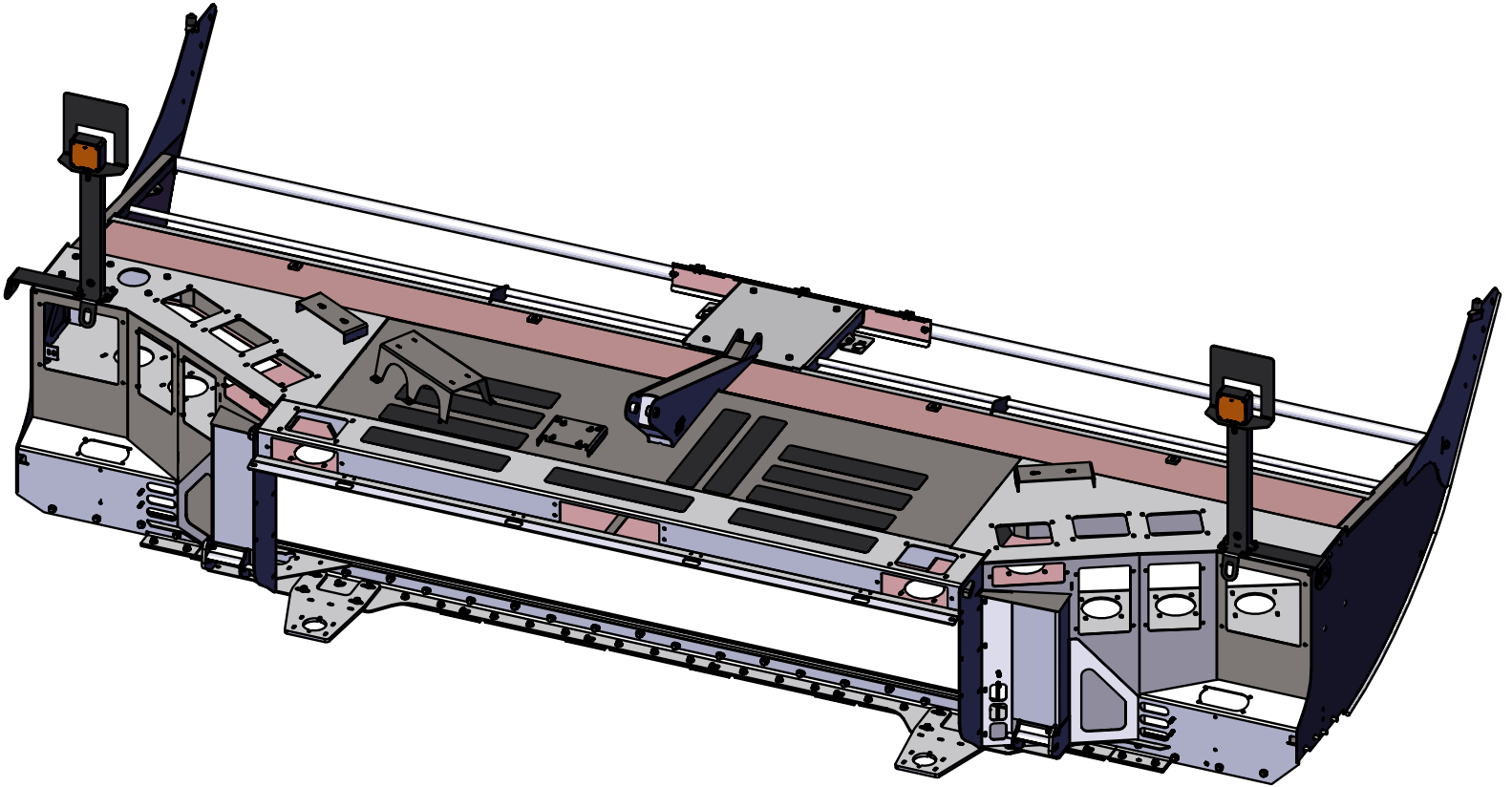
Model SC1500 Specialty Seed Header
For Serial Numbers SC1500-24001 thru SC1500-24999

Hydraulic Hoses (Left)

BOM ID	Hillco Part No.	HoseDescription	Qty	Description
1	1376022	CONNECTS MOTOR 2 "P" PORT TO LEFT MANIFOLD "P1" PORT	1	100R17AR-08x21-1/2",-08FORS STRx-10FORS STR
2	1379401	CONNECTS MOTOR 3 "P" TEE TO LEFT MANIFOLD "P2" PORT	1	100R17AR-8x24-1/2",-10FORS STR x-8FORS 90° D64mm
3	1368393	CENTER MANIFOLD "CD1" PORT TO LEFT MANIFOLD "CD" PORT	1	100R17AR-4x38-1/2",-6FORS STR x -6FORS STR
4	1368404	CONNECTS MANIFOLD "R" PORT TO CENTER MANIFOLD "R" PORT	1	100R17AR-12x35-1/2",-10FORS STR x -12FORS STR
5	1379421	CONNECTS MOTOR 5 "P" TEE TO LEFT MANIFOLD "P1"	1	100R17-10x20-1/2",-8FORS STR x-10FORS90°D32MM
6	1376051	CONNECTS #5 MOTOR RETURN TO LEFT MANIFOLD "R4" PORT	1	100R17AR-10x25-1/2" -10FORS STR X-12FORS 90°D48MM
7	1376081	CONNECTS MOTOR 5 "CD" TO LEFT MANIFOLD "CD4" PORT	1	100R17AR-04x36",-06FORS STRx-06FORS 90°D23mm
8	1379391	CONNECTS MOTOR 3 "T" TO MOTOR 4 "P" TEE	1	100R17AR-10x22-1/2",-10FORS STR x -10FORS 45°
9	1379411	CONNECTS MOTOR 4 "P" TEE TO LEFT MANIFOLD "P2"	1	100R17AR-8x15-1/2",-10FORS STR x-8FORS 45°
10	1368223	CONNECTS MOTOR 2 "T" PORT TO MOTOR 3 "P" TEE	1	100R17AR-10x23" -10FORS STR X -10FORS 90°D32MM
10	1368223	CONNECTS MOTOR 4 "T" PORT TO MOTOR 5 "P" TEE	1	100R17AR-10x23" -10FORS STR X -10FORS 90°D32MM
11	1368303	CONNECTS MOTOR 3 "CD" TO LEFT MANIFOLD "C2" PORT	2	100R17AR-4x21"; -6FORS STR x -6FORS90°D23MM
11	1368303	CONNECTS MOTOR 4 "CD" TO LEFT MANIFOLD "C3" PORT	2	100R17AR-4x21"; -6FORS STR x -6FORS90°D23MM
12	1368303	CONNECTS MOTOR 2 "CD" TO LEFT MANIFOLD "C1" PORT	1	100R17AR-4x21"; -6FORS STR x -6FORS90°D23MM
13	1368413	CONNECTS CENTER MANIFOLD "P1" PORT TO MOTOR 2 "P" TEE	1	100R17AR-10x77",-10FORS STR x -10FORS 90°D32MM
14	10123.00512	XPS-B-45	1	SLEEVE, ABRASION 2.80ID X 32" NYLON

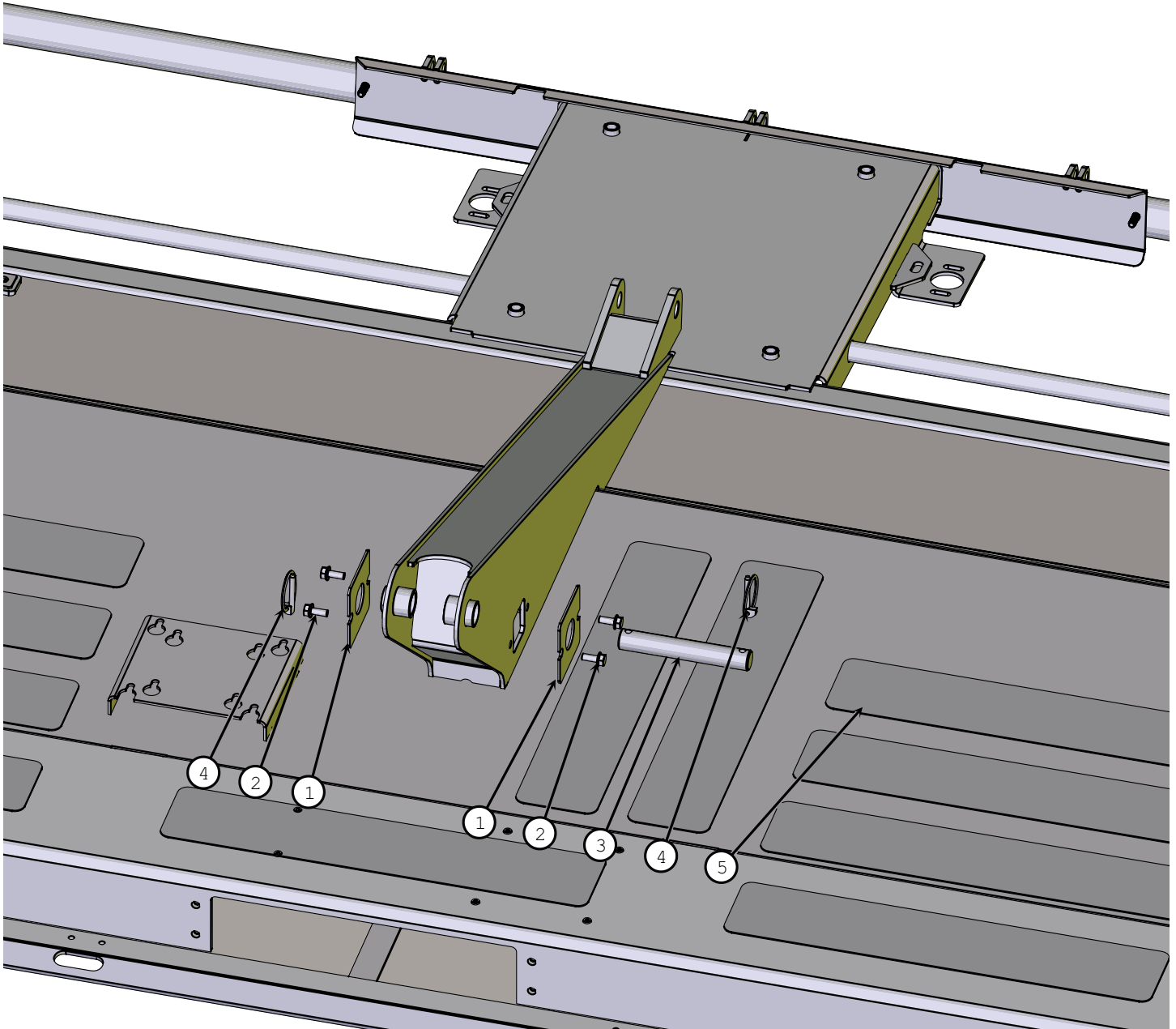
Model SC1500 Specialty Seed Header
For Serial Numbers SC1500-24001 thru SC1500-24999

Frame



Model SC1500 Specialty Seed Header
 For Serial Numbers SC1500-24001 thru SC1500-24999

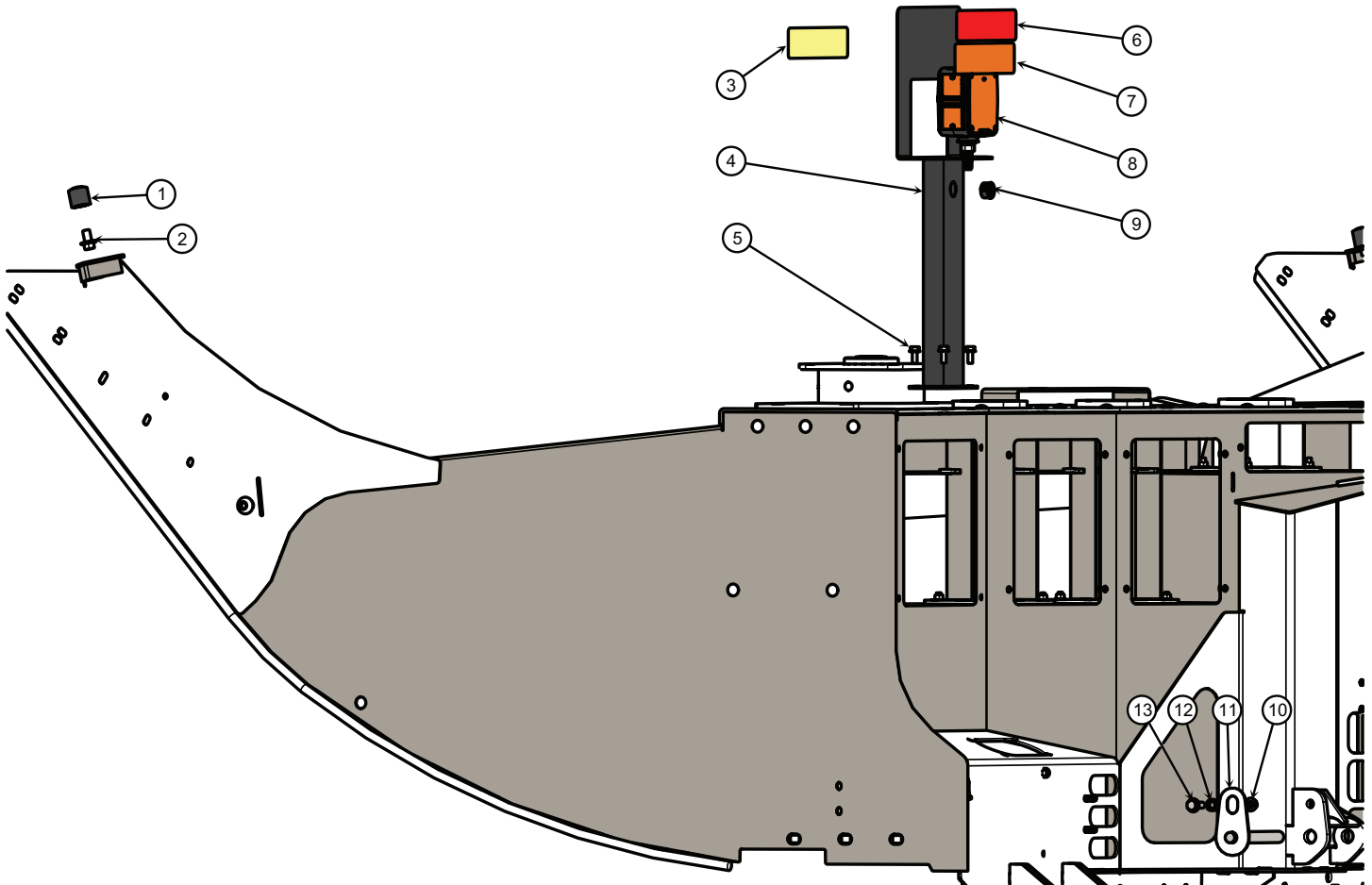
Frame (Center)



BOM ID	Hillco Part No.	Qty	John Deere Part No.	Description
1	1376131	2		PANEL MNT
2	122.008.020	4	19M7866	BOLT,HEX,FLANGE,CL10.9 M8X20
3	1368031	1	FH324360	PIN, TOP LINK
4	156044	1	AA21292	PIN, QUICK LOCK
5	10262.064.336	11		STICKER, NON SKID, 4" WIDE X 21" LONG

Model SC1500 Specialty Seed Header
 For Serial Numbers SC1500-24001 thru SC1500-24999

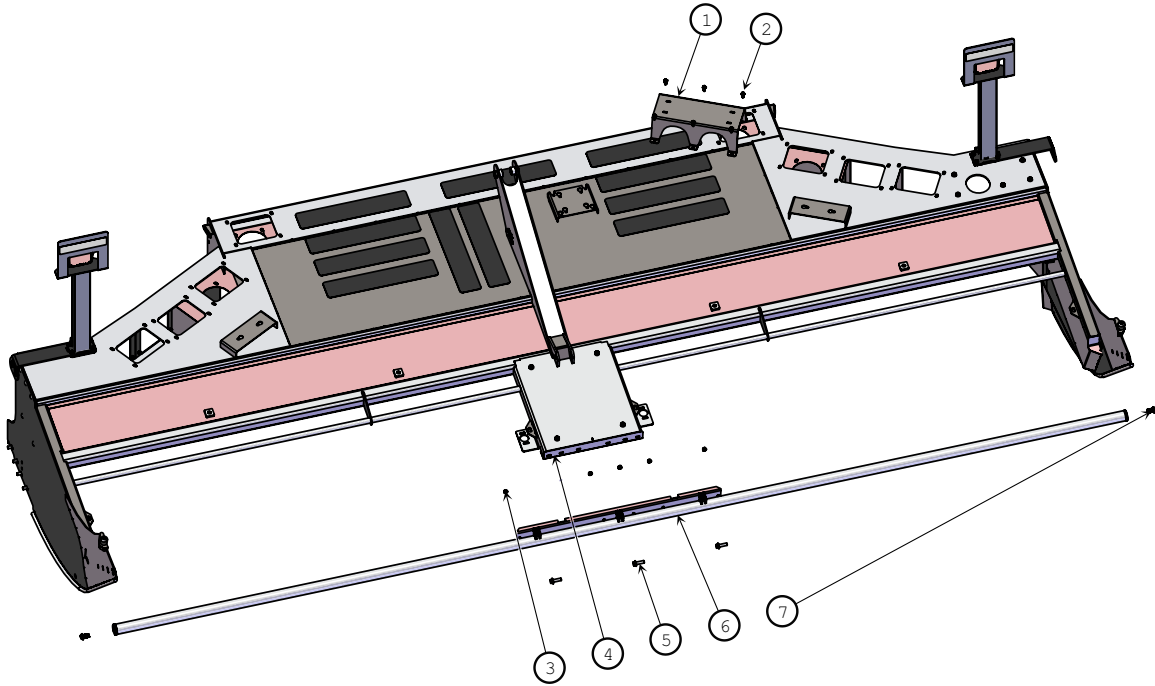
Frame (Left and Right)



BOM ID	Hillco Part No.	Qty	John Deere Part No.	Description
1	156202	1		BUMPER,NEOPRENE, M12x1.75MM, DUROMETER 70A
2	122.012.020	1	19M7787	BOLT, HEX, FLANGE, CL10.9 M12X20MM
3	1347441	1		STICKER, YELLOW, 2"X9"
4	1367821	1		WARNING LIGHT STAND
5	122.008.020	4	19M7866	BOLT,HEX, FLANGE, CL10.9 M8X20MM
6	1347431	1		STICKER, RED, 2"X9"
7	1347451	1		STICKER, RED/ORANGE, 2"X9"
8	156030	1	AFH213195	LAMP, WARNING
9	156029	1		GROMMET, EXPANDABLE LOCKING 1"
10	123.010	1	14M7296	NUT, HEX, FLANGE, CL10 M10
11	1367981	1		LIFT PIN
12	1364061	1		BUSHING, LIFT PIN
13	122.010.035	1	19M7835	BOLT, HEX, FLANGE, CL10.9 M10X35
*NS	1380531	2		HAZARD LIGHT,NEOPRENE, VIBRATION DAMPENER

Model SC1500 Specialty Seed Header
 For Serial Numbers SC1500-24001 thru SC1500-24999

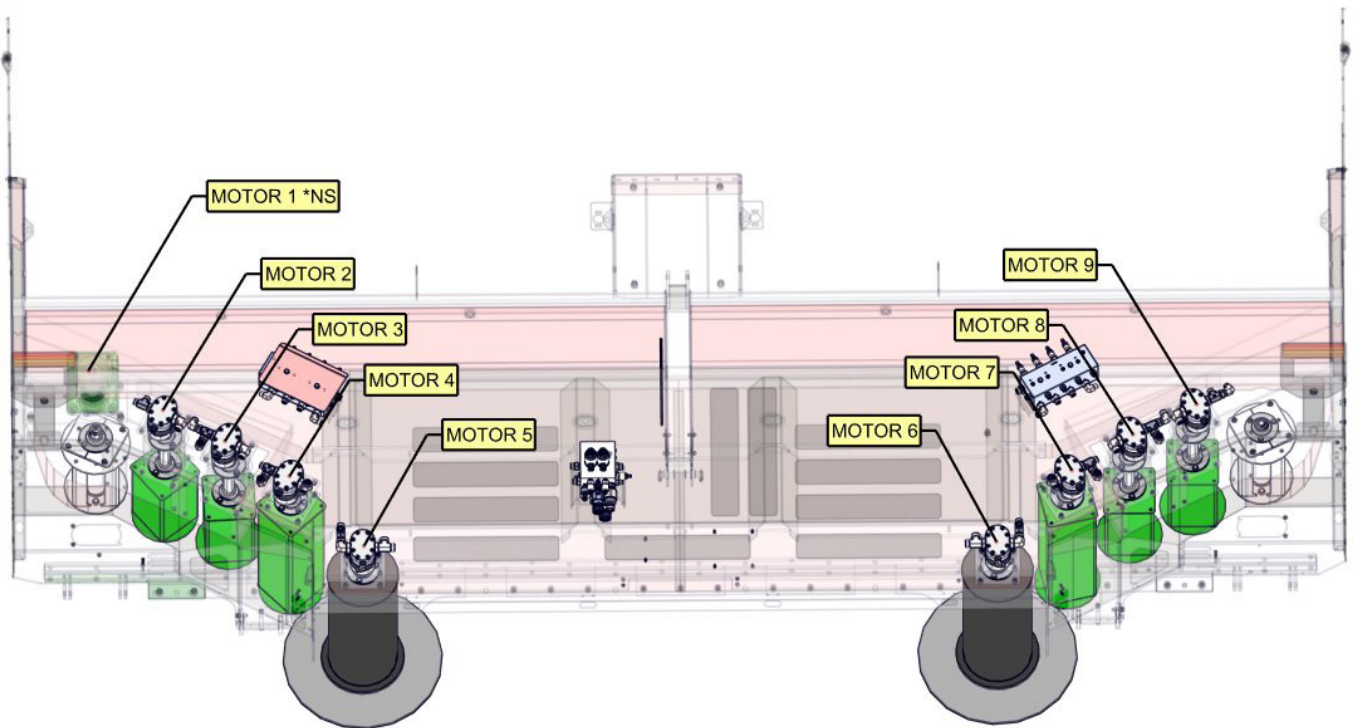
Frame (Front)



BOM ID	Hillco Part No.	Qty	John Deere Part No.	Description
1	258.005.016	6		SCREW, HEX, SELF-DRILLING, 5/16-18x1"
2	1377541	1		HOSE CHANNEL
3	123.008	6	14M7298	NUT, HEX,FL, CL 10.9, M8x1.25
4	1373841	1		FRONT BRACE
5	122.012.040	3	19M7791	BOLT,HEX,FLANGE,CL10.9 M12X40MM
6	1368923	1		FRAME
7	206.016.030	2		SCREW, BHSC, CL12.9 M16X30MM

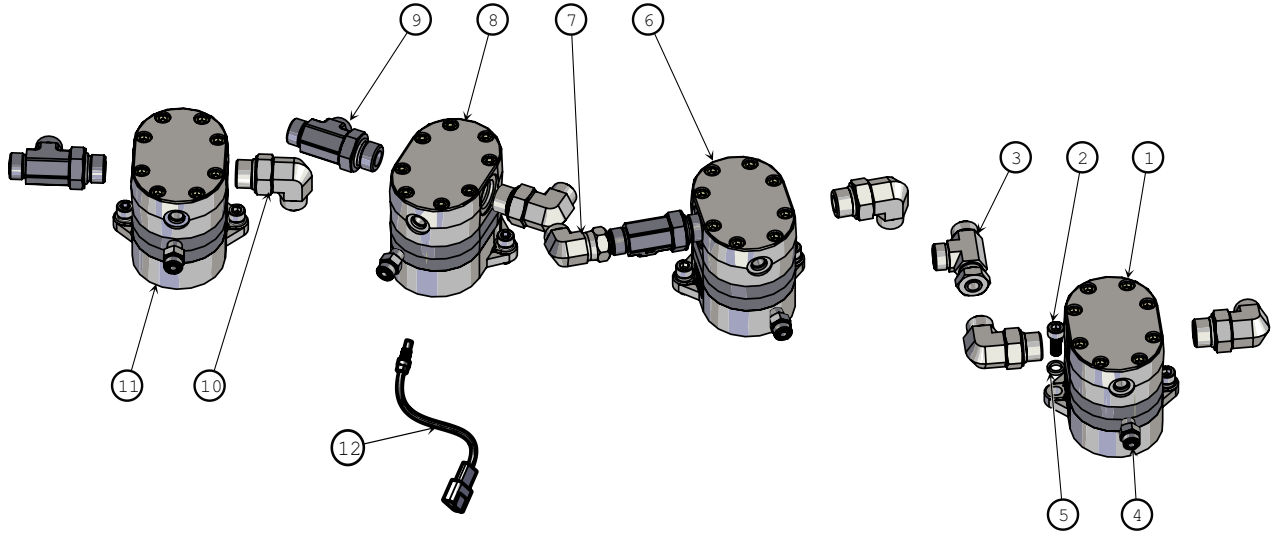
Model SC1500 Specialty Seed Header
For Serial Numbers SC1500-24001 thru SC1500-24999

Hydraulic Motors



Model SC1500 Specialty Seed Header
 For Serial Numbers SC1500-24001 thru SC1500-24999

Left Motors And Fittings

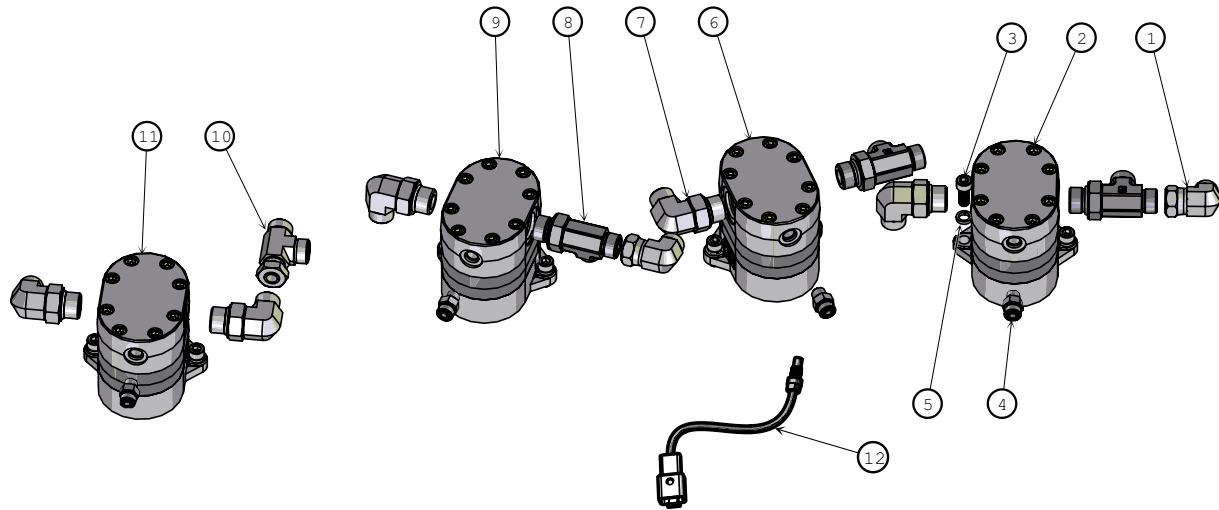


BOM ID	Hillco Part No.	John Deere Part No.	Qty	Description
1	156071	99JD70421	1	MOTOR HYD, 32CC, D SERIES
2	135.007		8	WASHER,LCK,HIGH COLLAR 7/16
3	1008.10		1	HA,TEE,SWV,NUT,RUN -10 ORFS
4	1001.06.06		4	HA, STR -6MORB X -6MORFS
5	237.010.025	19M9704	8	SCREW,SHC,CL12.9 M10 X 1.5 X 25
6	156070	99JD70422	1	MOTOR HYD, 25CC, D SERIES
7	1006.10.10		1	HA, 90°, -10FORFS X -10MORFS
8	156164		1	MOTOR HYD, 21CC, DSERIES W/SPEED SENSOR
9	1007.12.10		3	HA TEE, STR,THD,RUN,-12ORBx-10ORS
10	1003.12.10		5	HA, 90° -12MORB X 10MORFS
11	155945	99JD70423	1	MOTOR HYD, 21CC, D SERIES
12	156275		1	D SERIES HALL EFFECT SPEED SENSOR
*ns		99JD70424		"D" SERIES MOTOR SEAL KIT

*ns = not shown

Model SC1500 Specialty Seed Header
 For Serial Numbers SC1500-24001 thru SC1500-24999

Right Motors And Fittings

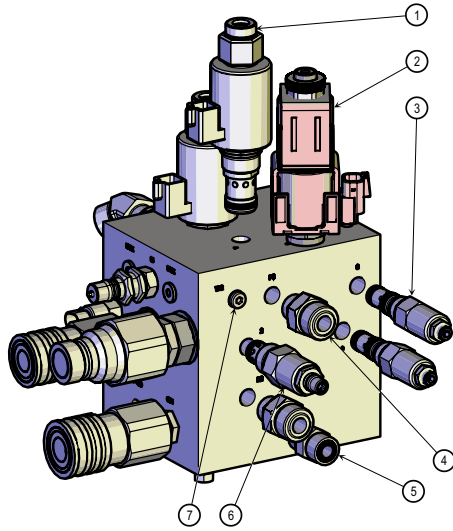


BOM ID	Hillco Part No.	John Deere Part No.	Qty	Description
1	1006.10.10		2	HA, 90°, -10FORFS X -10MORFS
2	155945	99JD70423	1	21CC, D SERIES (83036100)
3	237.010.025	19M9704	8	SCREW,SHC,CL12.9 M10 X 1.5 X 25
4	1001.06.06		4	HA, STR -6MORB X -6MORFS
5	135.007		8	WASHER,LCK,HIGH COLLAR 7/16
6	156164		1	MOTOR HYD, 21CC, DSERIES W/SPEED SENSOR
7	1003.12.10		5	HA, 90° -12MORB X 10MORFS
8	1007.12.10		3	HA TEE, STR,THD,RUN,-12ORBx-10ORS
9	156070	99JD70422	1	MOTOR HYD, 25CC, D SERIES
10	1008.10		1	HA,TEE,SWV,NUT,RUN -10 ORFS
11	156071	99JD70421	1	MOTOR HYD, 32CC, D SERIES
12	156275		1	D SERIES HALL EFFECT SPEED SENSOR
*ns		99JD70424		"D" SERIES MOTOR SEAL KIT

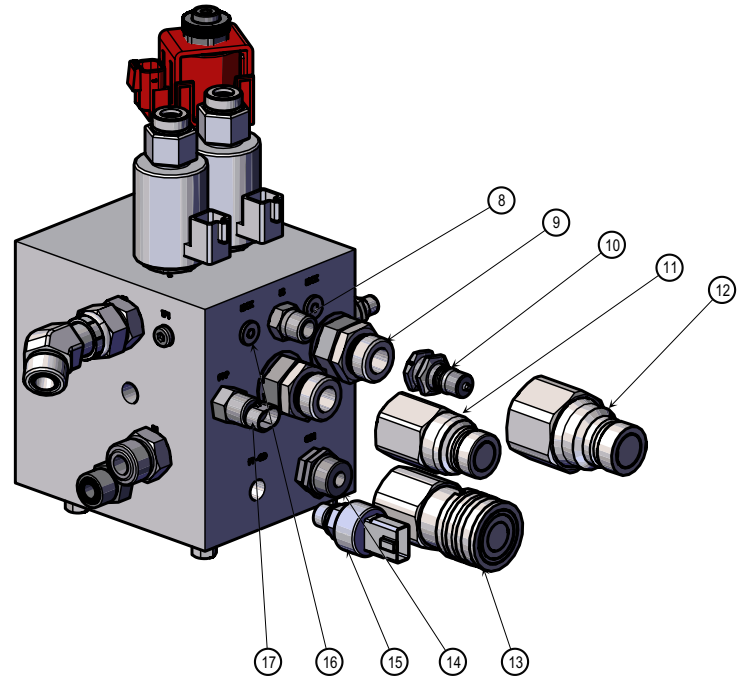
*ns = not shown

Model SC1500 Specialty Seed Header
For Serial Numbers SC1500-24001 thru SC1500-24999

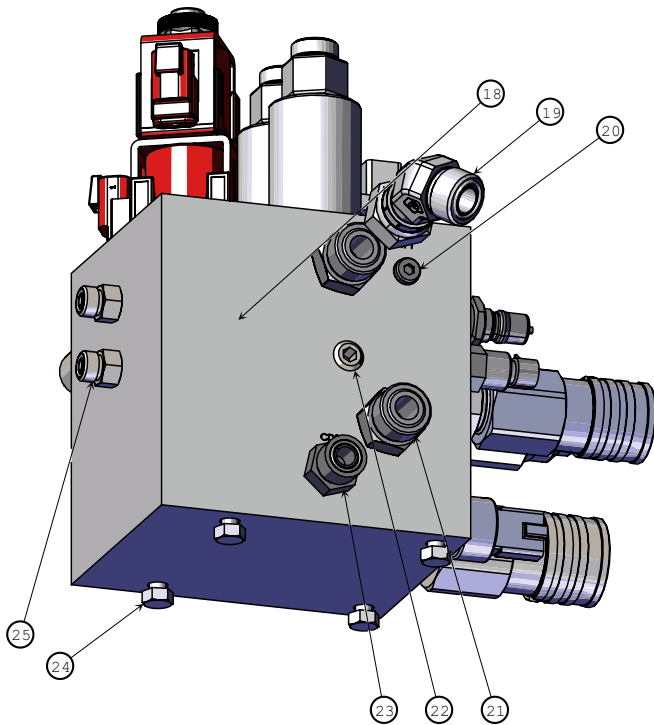
Center Manifold



Right and Top



Rear



Left and Front

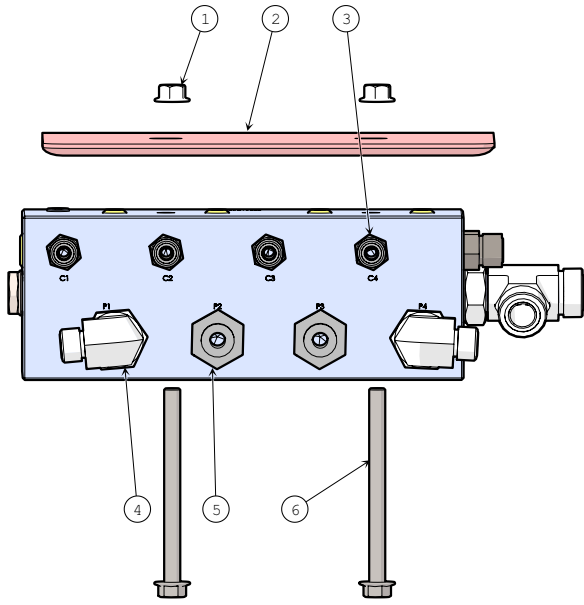
Model SC1500 Specialty Seed Header
 For Serial Numbers SC1500-24001 thru SC1500-24999

Center Manifold

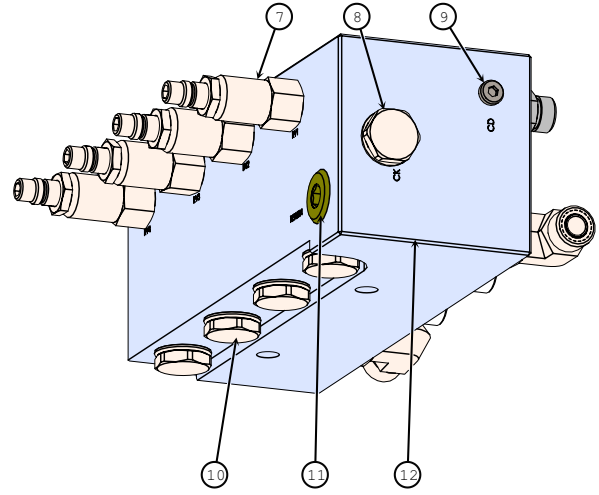
BOM ID	Hillco Part No.	Qty	John Deere Part No.	Description
1	156124	2	99JD71506	VALVE, PROPORTIONAL, FLOW CONTROL
2	156126	1	99JD71519	VALVE, SOLENOID, DIRECTING ACTING, 3-POS, 5-WAY
3	156128	2	99JD71531	VALVE, LOAD CHECK,3 PORTED,
4	1001.08.10	2		HA, STR -8MORB X -10MORFS
5	1001.08.06	1		HA, STR -8MORB X -6MORFS
6	156125	1	99JD71508	VALVE, RELIEF, PILOT OPERATED, 3KPSI
7	1019.04	1	99JD71523	PLUG, SKT, HD -4ORB
8	1027.04.06	1		STRAIGHT -4MORB X -6MORB
9	1027.12.12	2		STRAIGHT -12MORB X -12MORB
10	156118	1		COUPLING PLUG HYD, QUICK 1/4" BODY, -6ORB
11	156115	1		COUPLER COUPLING, HYD QUICK, -12FORB
12	156113	1		COUPLER PLUG,HYD,QUICK,-12FORB
13	156116	1		COUPLER COUPLING, HYD QUICK,-10FORB
14	1027.08.10	1		STRAIGHT -8MORB X -10MORB
15	156132	1	AXE16689	TRANSDUCER, OIL PRESSURE
16	156127	2	99JD71507	VALVE, CHECK, REVERSE FLOW,CP104-1
17	156131	1	RE204264	SENSOR, OIL PRESSURE
18	1372871	1	99JD71522	CENTER MANIFOLD
19	1005.10.10	1		HA 45° -10MORS -10FORS
20	1019.04	2	99JD71523	PLUG, SKT, HD -4ORB
21	1001.08.10	2		HA, STR -8MORB X -10MORFS
22	1019.06	1		HA,PLUG,SKT,HD -6ORB
23	1001.08.06	1		HA, STR -8MORB X -6MORFS
24	101.005.012	4		BOLT, HEX, GR5, 5/16-18 X 34
25	1001.04.04	2		HA, STR -4MORB X -4MORFS

Model SC1500 Specialty Seed Header
For Serial Numbers SC1500-24001 thru SC1500-24999

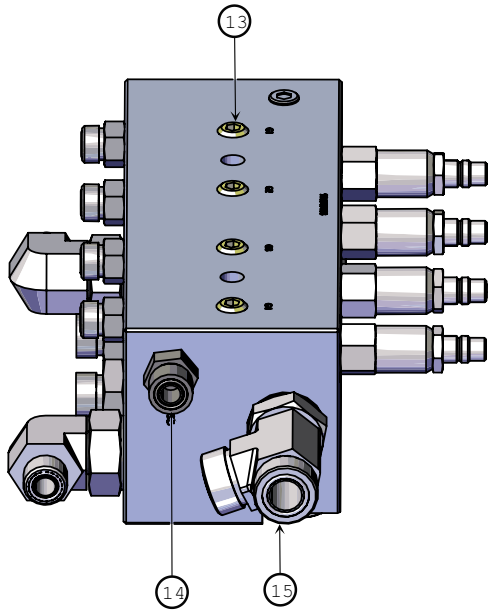
Left Manifold



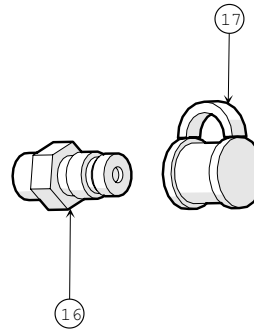
Rear



Left, Bottom, and Front



Right and Top

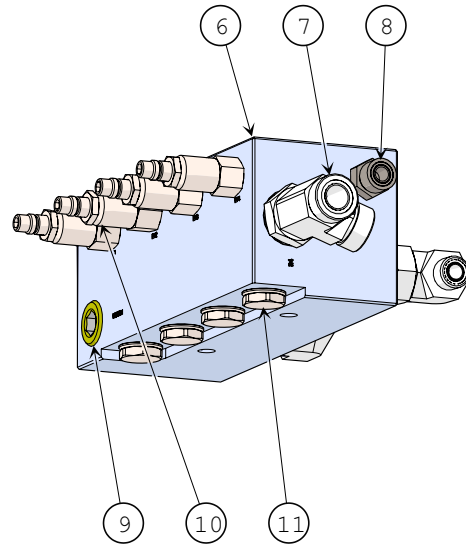
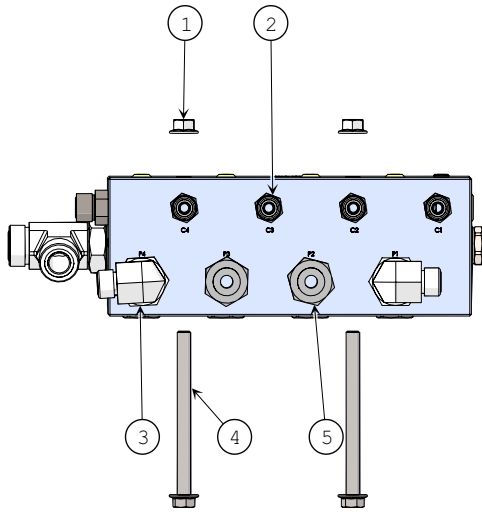


Model SC1500 Specialty Seed Header
 For Serial Numbers SC1500-24001 thru SC1500-24999

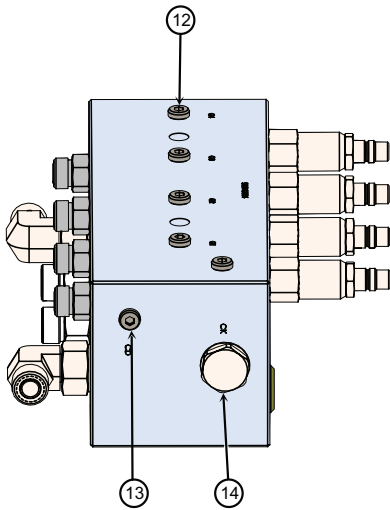
Left Manifold

BOM ID	Hillco Part No.	Qty	John Deere Part No.	Description
1	123.010	2		NUT, HEX, FLANGE, CL10 M10
2	1369471	1		HOSE SHIELD
3	1001.06.06	4		STRAIGHT -6MORB X -6MORFS
4	1003.12.08	2		90° -12MORB X -8MORFS
5	1001.12.08	2		STRAIGHT, -8MORS X -10MORB
6	122.010.120	2		BOLT, HEX, FLANGE, CL,10.9 M10 X 120MM
7	156120	4	99JD70101	VALVE, RELIEF, DIRECT-ACTING POPPET
8	156122	1	99JD70102	VALVE, CHECK, POPPET,15PSI,CV10
9	1019.08	1		PLUG, SKT, HD -8ORB
10	156123	4	99JD71507	POPPET, 5PSI, CV08
11	1019.12	1		PLUG, SKT, HD -12ORB
12	1372891	1		MANIFOLD, HYD, WING, LEFT
13	1019.06	5		HA:PLUG:SKT:HD -6ORB
14	1001.08.06	1		HA, STR -8MORB X -6MORFS
15	1007.12	1		HA TEE STR, THD, RUN 12 ORFS
16	143991	1	AH125760	COUPLER, QUICK-CONNECT HYDRAULIC
17	144001	1	R77175	DUST COVER

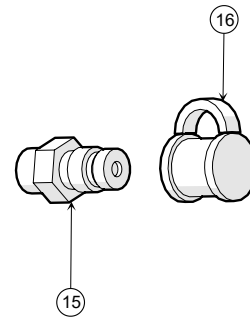
Right Manifold



Rear



Left, Bottom, and Front



Right and Top

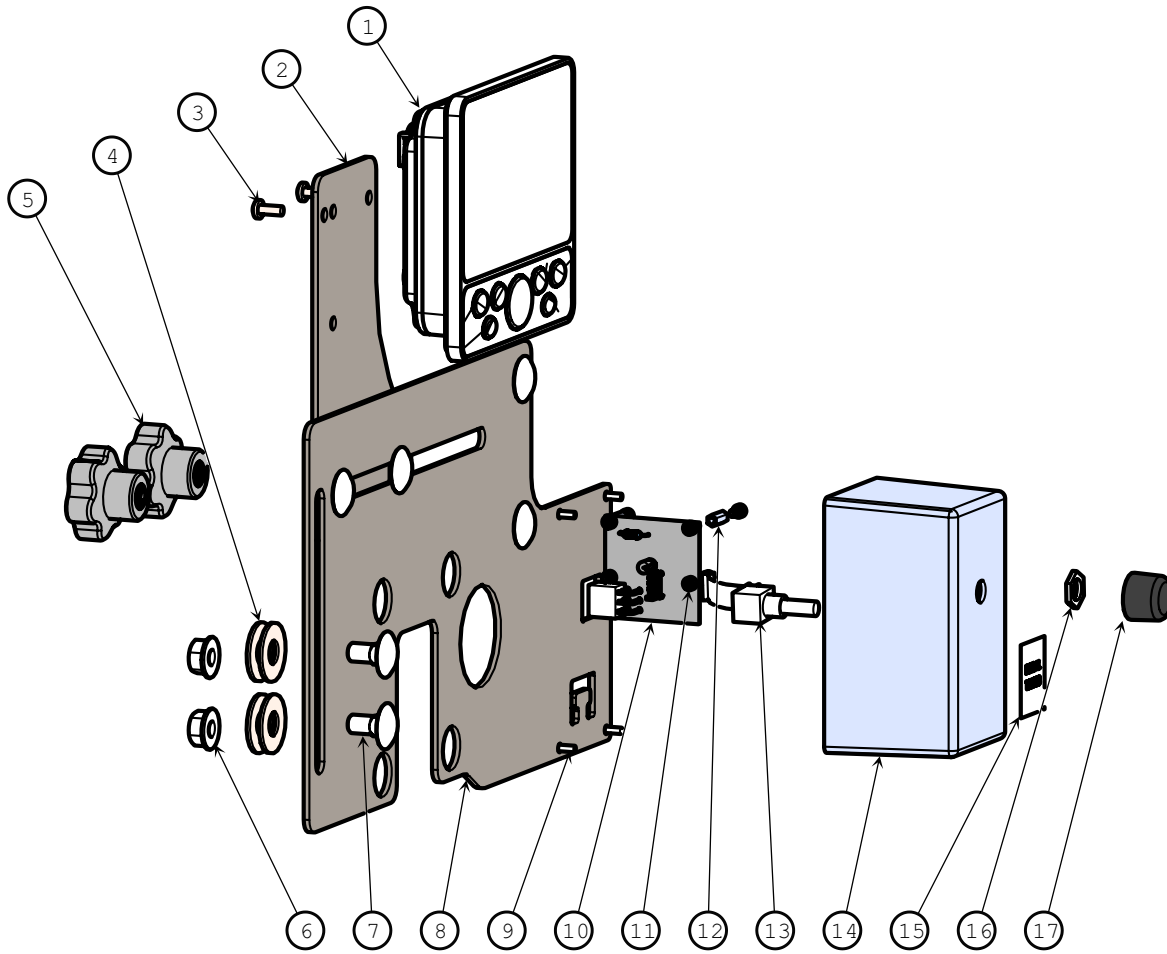
Model SC1500 Specialty Seed Header
 For Serial Numbers SC1500-24001 thru SC1500-24999

Right Manifold

BOM ID	Hillco Part No.	Qty	John Deere Part No.	Description
1	122.010.120	2		BOLT, HEX, FLANGE, CL,10.9 M10 X 120MM
2	1001.06.06	4		STRAIGHT -6MORB X -6MORFS
3	1003.12.08	2		90° -12MORB X -8MORFS
4	123.010	2		NUT, HEX, FLANGE, CL10 M8
5	1001.12.08	2		STRAIGHT, -8MORS X -12MORB
6	1372901	1		MANIFOLD, HYD, WING, RIGHT
7	1007.12	1		TEE STR, THD, RUN 12 ORFS
8	1001.08.06	1		STR -8MORB X -6MORFS
9	1019.12	1		PLUG:SKT:HD -12ORB
10	156125	4	99JD70101	VALVE, RELIEF PILOT OPERATED,3K PSI
11	156123	4	99JD71507	VALVE, CHECK, POPPET, 5PSI, CV08
12	1019.04	6	99JD71523	PLUG, SKT, HD -4ORB
13	1019.08	1		PLUG:SKT:HD -8ORB
14	156122	1	99JD70102	VALVE CHECK, POPPET, 15PSI, CV10
15	143991	1	AH125760	COUPLER, QUICK-CONNECT HYDRAULIC
16	144001	1	R77175	DUST COVER

Model SC1500 Specialty Seed Header
For Serial Numbers SC1500-24001 thru SC1500-24999

Display



BOM ID	Hillco Part No.	Qty	John Deere Part No.	Description
1	156038	1		DISPLAY, DANFOSS, DM430E-1-0-1-0
2	1380561	1		SLIDING MOUNT PLATE, SCREEN MOUNT
3	171.004.010	2	99JD81019	SCREW, PAN HEAD MACHINE, CH M4 X 10
4	105.006	8		NUT, JAM, 3/8"
5	156336	2		M8 METRIC STAR SHAPED KNURLED CLAMPING NUTS
6	123.008	4	14M7298	NUT, HEX,FLANGE, CL 10.9, M8x1.25
7	163.008.016	6	03M7185	BOLT CARR, CL8, M8x25
8	1380551	1		MOUNT PLATE, SC1500 CONTROLS
9	114.#06.006	4		SCREW,PAN HEAD MACHINE,CH 6-32X3/8
10	1377601	1		PCB, VOLTAGE REGULATOR CIRCUIT, 5V
11	237.003.006	7		M3X0.5, 6MM LENGTH
12	156254	4		STANDOFF, HEX, FEMALE, 4.5MM W, 11MM L, M3X0.5MM
13	156243	1		ENCODER, OPTICAL
14	1377591	1		BOX, ENCODER MOUNT
15	156238	1		DECAL, SWITCH BOX, SPECIALTY HEADER
16	174.006	1		NUT,HX,JAM,GR5 3/8-16
17	156244	1		KNOB, ENCODER

Model SC1500 Specialty Seed Header
 For Serial Numbers SC1500-24001 thru SC1500-24999

Electrical

BOM ID	Hillco Part No.	Qty	Description
1	1375671	1	HARNESS, HCU PRIMARY
2	1375681	2	HARNESS, HCU LIGHT EXTENSION
3	1375691	1	HARNESS, HCU LEFT CONTROL
4	1375701	1	HARNESS, HCU RIGHT CONTROL
5	1376002	1	HARNESS, HCU CAN EXTENSION
6	1376011	1	HARNESS, WET KIT
7	1376251	1	HARNESS, HILLCO SERVICE
8	1376241	1	HARNESS, DEERE SERVICE
9	1375992	1	HARNESS, HCU CAB
10	1377701	6	ROCK LIGHT WITH CONNECTOR
11	146531	1	Y-CONNECTOR, BLACK, DTM SERIES
12	146541	1	PLUG, GRAY, 120-OHM RESISTOR, DTM SERIES
13	156052	1	SENSOR, ASSY., MAGNETIC PICKUP
14	156211	1	POWER BUS SPLITTER, 60A
15	156213	2	DIODE, MINI AUTOMOTIVE FUSE, 1A
16	155813	1	MICRO ISO RELAY, SPST WITH RESISTOR
ns*	114.#08.008	12	SCREW, PHM, CH #8-32 X 1/2" (ROCK LIGHT)
ns*	146521	1	WEDGE, BLACK, 2-SOCKET, B-KEY,
ns*	156133	1	CONTROLLER, DANFOSS PLUS-1-38PIN
ns*	156176	2	GROMMET, 3/4" HOLE & 1/32-1/4" MAT, BLACK

*ns = not shown



1. HCU Primary



2. Light Extension Harness



3. HCU Left Control



4. HCU Right Control



5. HCU CAN Extension



6. Wet Kit Harness

Model SC1500 Specialty Seed Header
For Serial Numbers SC1500-24001 thru SC1500-24999

Electrical



7. Hillco Service Harness



8. Deere Service Harness



9. HCU Cab Harness



10. Rock Light



11. Y-Connector



12. 120 ohm Terminator



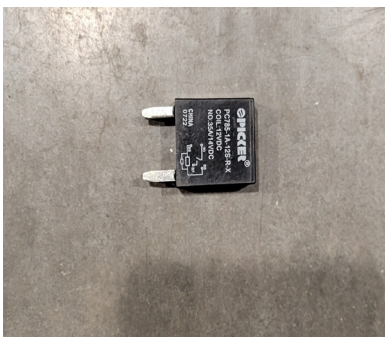
13. Magnetic Pickup, Sensor



14. Power Bus Splitter



15. Mini Automotive Diode

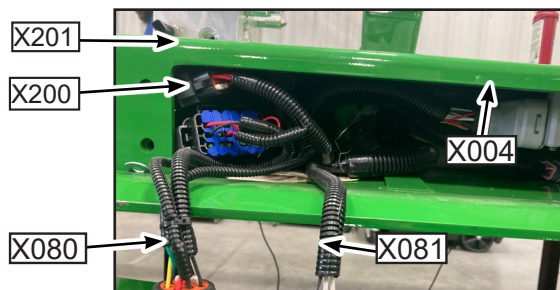
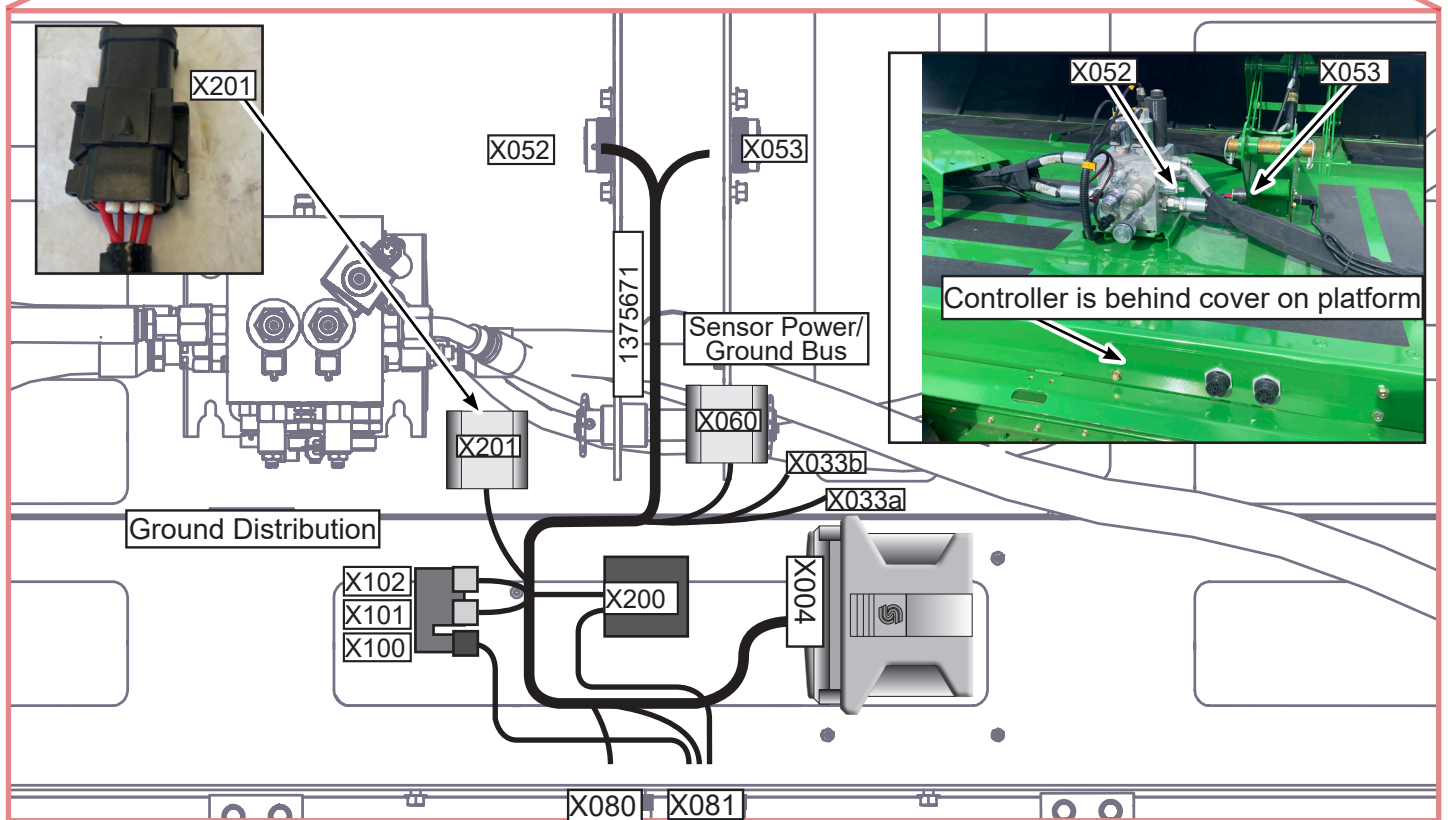
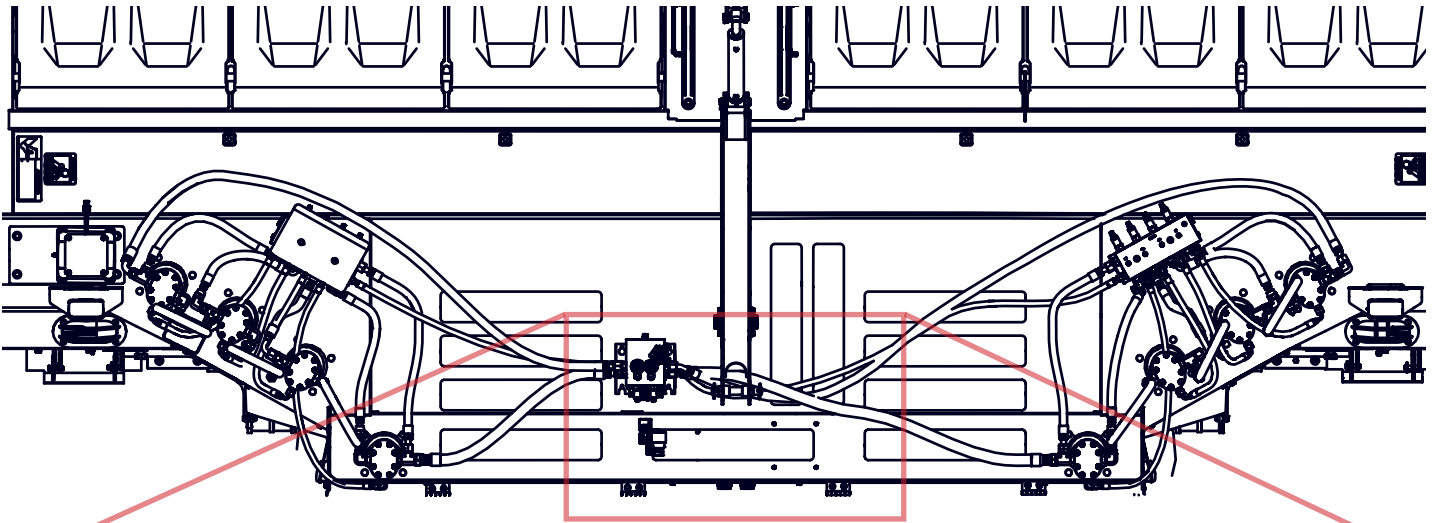


16. Micro Relay, SPST

Electrical Schematics and Harnesses

Primary Wiring Harness (1375671)

Harness is located inside of platform.



Model SC1500 Specialty Seed Header

For Serial Numbers SC1500-24001 thru SC1500-24999

REV.	DESCRIPTION	DATE	BY	MULTI-REVISION APPROVED
A	Released for Production	07/05/2022	SJM	Do Not Copy
B	Shortened legs 2 and 3 and replaced X105 & X101 w/ X108 & X081	02/02/2022	SJM	W/ 24" x 10" Hole W/ 24" x 10" Hole
C	Corrected part numbers for X100 housing and terminal & X20 pin assignments	04/11/2022	SJM	See 1105 See 1105 See 1105 See 1105

REV.	DESCRIPTION	DATE	BY	MULTI-REVISION APPROVED
A	Released for Production	07/05/2022	SJM	Do Not Copy
B	Shortened legs 2 and 3 and replaced X105 & X101 w/ X108 & X081	02/02/2022	SJM	W/ 24" x 10" Hole W/ 24" x 10" Hole
C	Corrected part numbers for X100 housing and terminal & X20 pin assignments	04/11/2022	SJM	See 1105 See 1105 See 1105 See 1105

REV.	DESCRIPTION	DATE	BY	MULTI-REVISION APPROVED
A	Released for Production	07/05/2022	SJM	Do Not Copy
B	Shortened legs 2 and 3 and replaced X105 & X101 w/ X108 & X081	02/02/2022	SJM	W/ 24" x 10" Hole W/ 24" x 10" Hole
C	Corrected part numbers for X100 housing and terminal & X20 pin assignments	04/11/2022	SJM	See 1105 See 1105 See 1105 See 1105

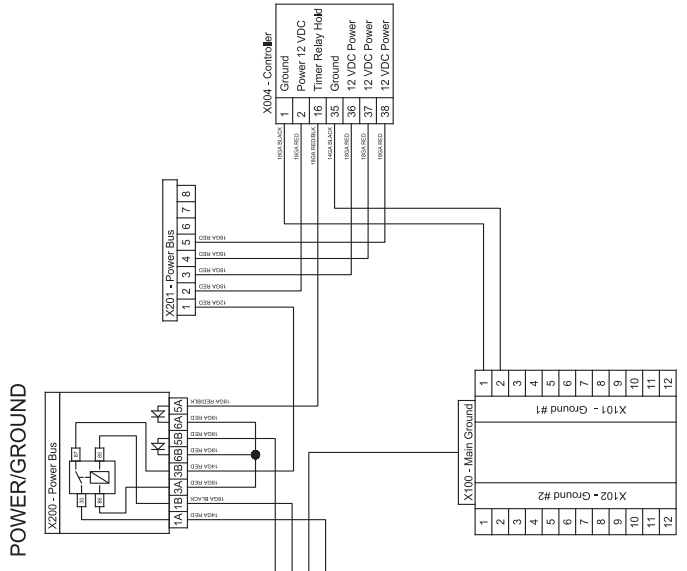
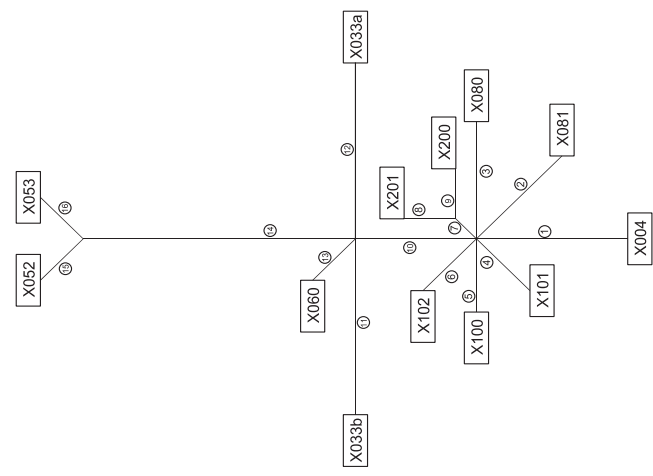
All information contained in this document is confidential and proprietary. Do not distribute or reproduce without written permission. For more information, see the copyright notice on the back cover of this document. For use, except for reproduction, see the copyright notice on the back cover of this document.

HILLCO
HILLCO, INC.
1105
1105
1105
1105

Description: OT ASHM HARNESS, HCU PRIMARY
Material: SEE BELOW
Part # 1375671
Part # 1375671
Part # 1375671
Part # 1375671

CONNECTOR	DESCRIPTION	TYPE	HOUSING PART #	TERMINAL PART #	ACCESSORIES PART #
X004	CONTROLLER	DEUTSCH	DR026-3850-P017	0462-201-16141, 0462-203-12141	0415-204-2005
X081	HILLOCO MPC	DEUTSCH	HD10-4-86P-8025	0460-202-16141	114017, 2411-002-1805
X033a	RIGHT LIGHT EXTENSION	DEUTSCH	DT06-6S	0462-201-16141	W6S
X033b	LEFT LIGHT EXTENSION	DEUTSCH	DT06-6S	0462-201-16141	W6S
X080	DEERE MPC	DEUTSCH	HD10-4-86P-8022	1080-16-1222, 0460-202-16141	114017, 2411-002-1805
X052	LEFT BULKHEAD MPC	DEUTSCH	HDP24-1621PN	0460-202-16141	2411-002-1805, 0413-204-2005
X053	RIGHT BULKHEAD MPC	DEUTSCH	DT04-6P-CL06	0460-202-16141	W6P, 114017
X060	SENSOR POWER/GROUND BUS	DEUTSCH	DT06-12SA	0462-201-16141	W12S, DT04-12PA-P026, 114017
X100	MAIN GROUND	DEUTSCH	DTHD06-1-8S	0462-203-08141	W12S, 114017
X101	GROUND #1	DEUTSCH	DT06-12SA	0462-201-16141	W12S, 114017
X200	GROUND #2	DEUTSCH	DT06-12SA	0462-201-16141	W12S, 114017
X102	POWER RELAY	LITTELFUSE	PDM3100ZXM	APTIV # 12128493, 12077411	
X201	POWER BUS	DEUTSCH	DT06-08SB	0462-201-16141	W6S, DT04-08PB-P021, 114017

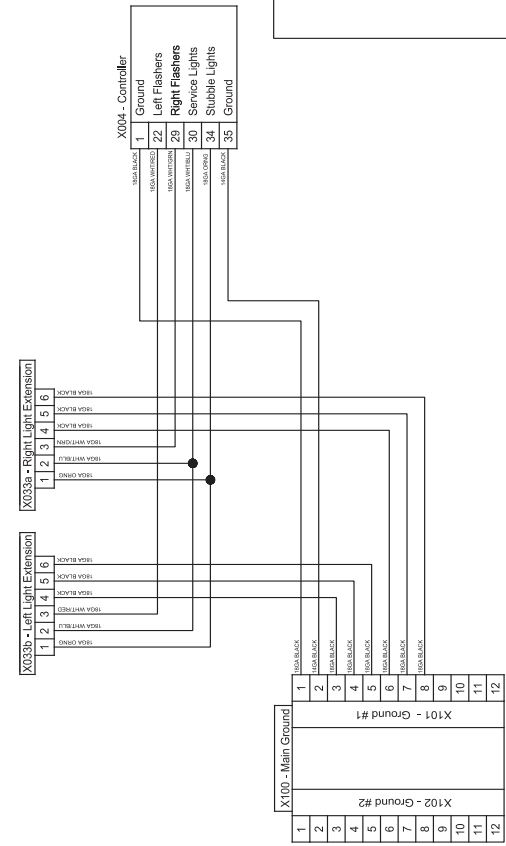
BRANCH	LENGTH
1	11 INCHES
2	8 INCHES
3	8 INCHES
4	5 INCHES
5	5 INCHES
6	5 INCHES
7	2 INCHES
8	4 INCHES
9	4 INCHES
10	8 INCHES
11	12 INCHES
12	12 INCHES
13	4 INCHES
14	18 INCHES
15	4 INCHES
16	4 INCHES



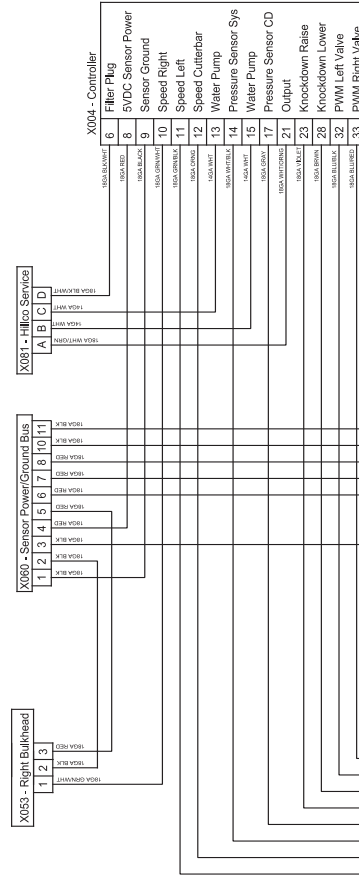
Model SC1500 Specialty Seed Header
 For Serial Numbers SC1500-24001 thru SC1500-24999

REV.	DESCRIPTION	DATE	BY	HILCO PART #	C
A	Released for Production	01/05/2022	SJM		
B	Shortened legs 2 and 3 and replaced X035 & X031 w/ X038 & X031	02/02/2022	SJM		
C	Corrected part numbers for X100 housing and terminal & X200 pin assignments	04/11/2022	SJM		

LIGHTS



CONTROL



CAN BUS

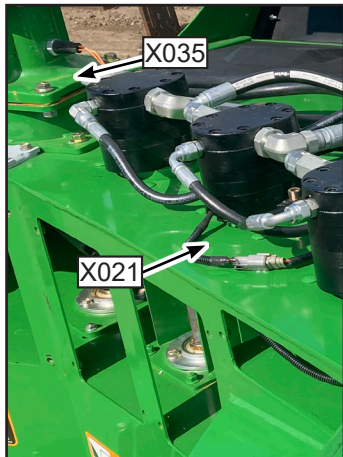
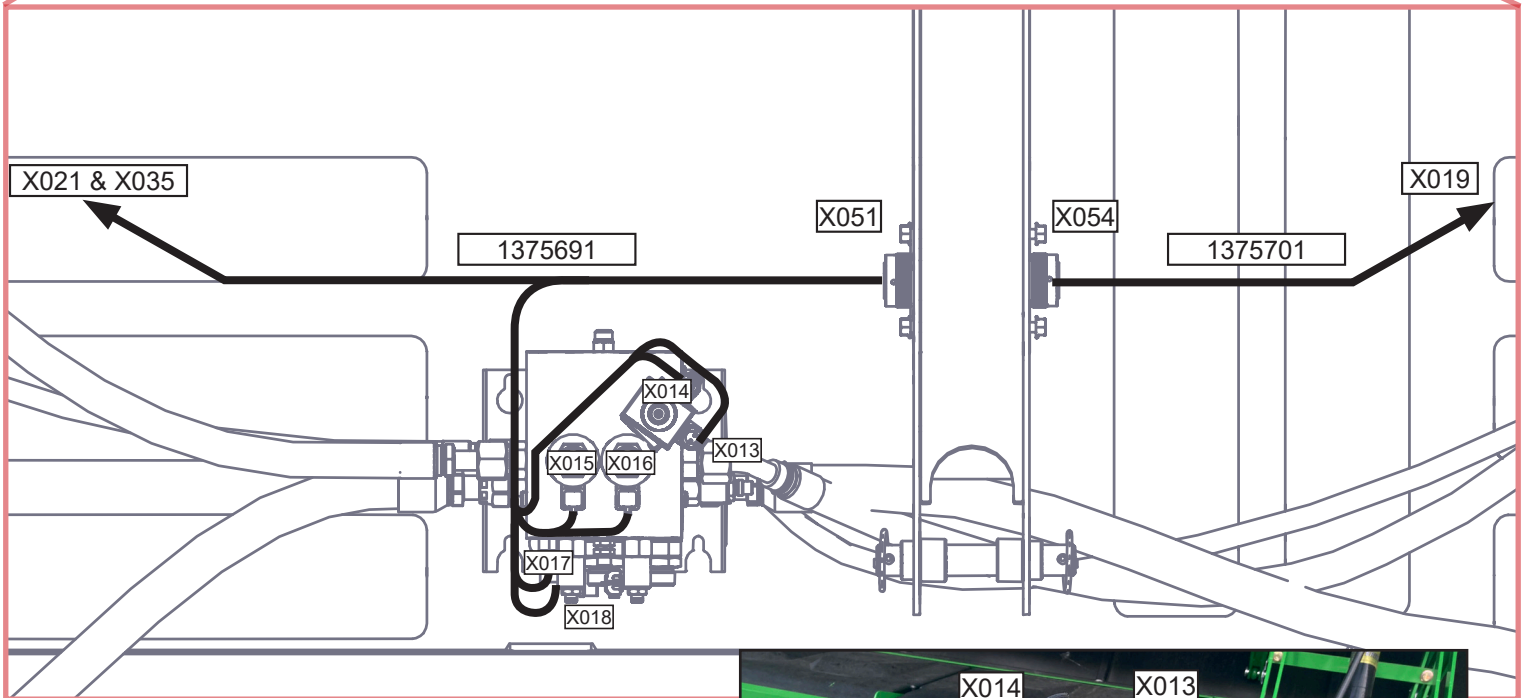
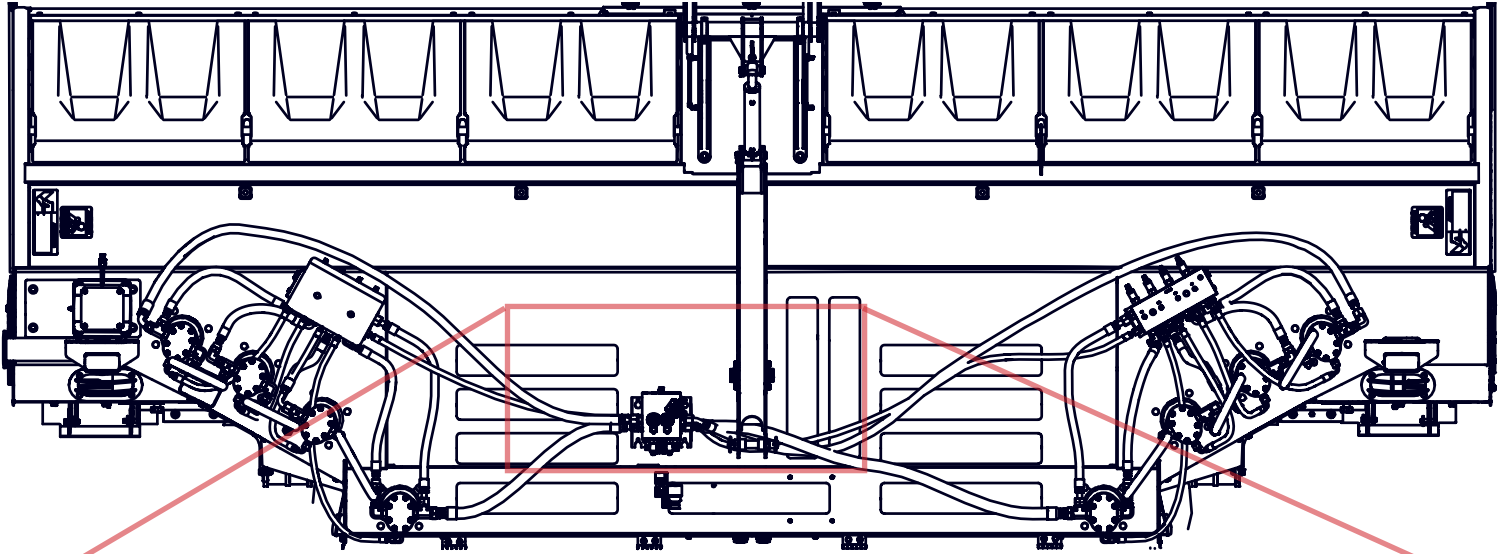
WIRES SHALL FORM A TWISTED PAIR PER SAE J1939-15
 CABLE TWISTING MUST BEGIN AT LEAST 2 INCHES FROM THE CONNECTOR TERMINALS
 CABLE TWIST RATE SHALL BE A MINIMUM OF 1 TWIST PER INCH



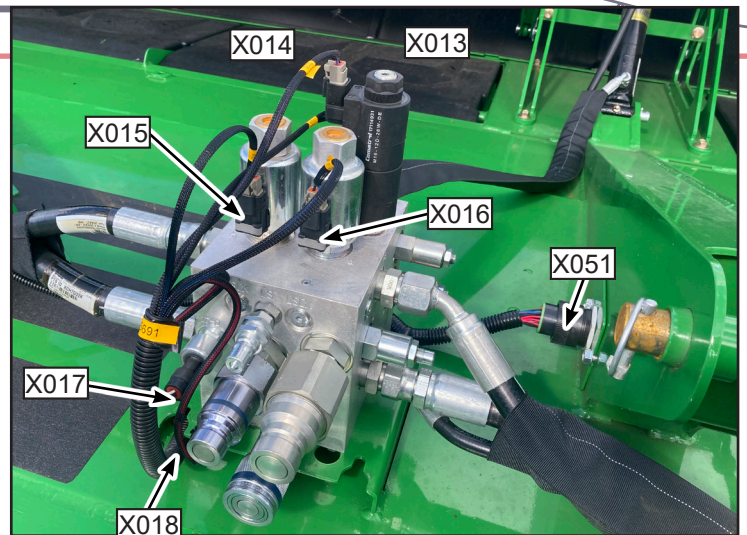
Model SC1500 Specialty Seed Header
For Serial Numbers SC1500-24001 thru SC1500-24999

Manifold Harness & Speed Sensor Harness (1375691 & 1375701)

Harness is located on top of platform by middle manifold.



D-220308DMC01



Model SC1500 Specialty Seed Header
For Serial Numbers SC1500-24001 thru SC1500-24999

REV.	A B	DESCRIPTION Released For Production Re-named X032 to X051 to avoid confusion	DATE 07/01/2022 02/15/2022	BY SJM SJM	Part # 1375691	B
HILLCO						
Description: OT ASM, HARNESS, HCU LEFT CONTROL						
Material: SEE BELOW						
Designed: SJM						
Sheet 1 of 2						
Wt: N/A						
Doc: 10-962910.DWG						
All information contained in this document is confidential and proprietary. No part, disclosure or reproduction without permission is prohibited. For use only for the part for which it was created. For use, except that for which it may be loaned, is prohibited.						

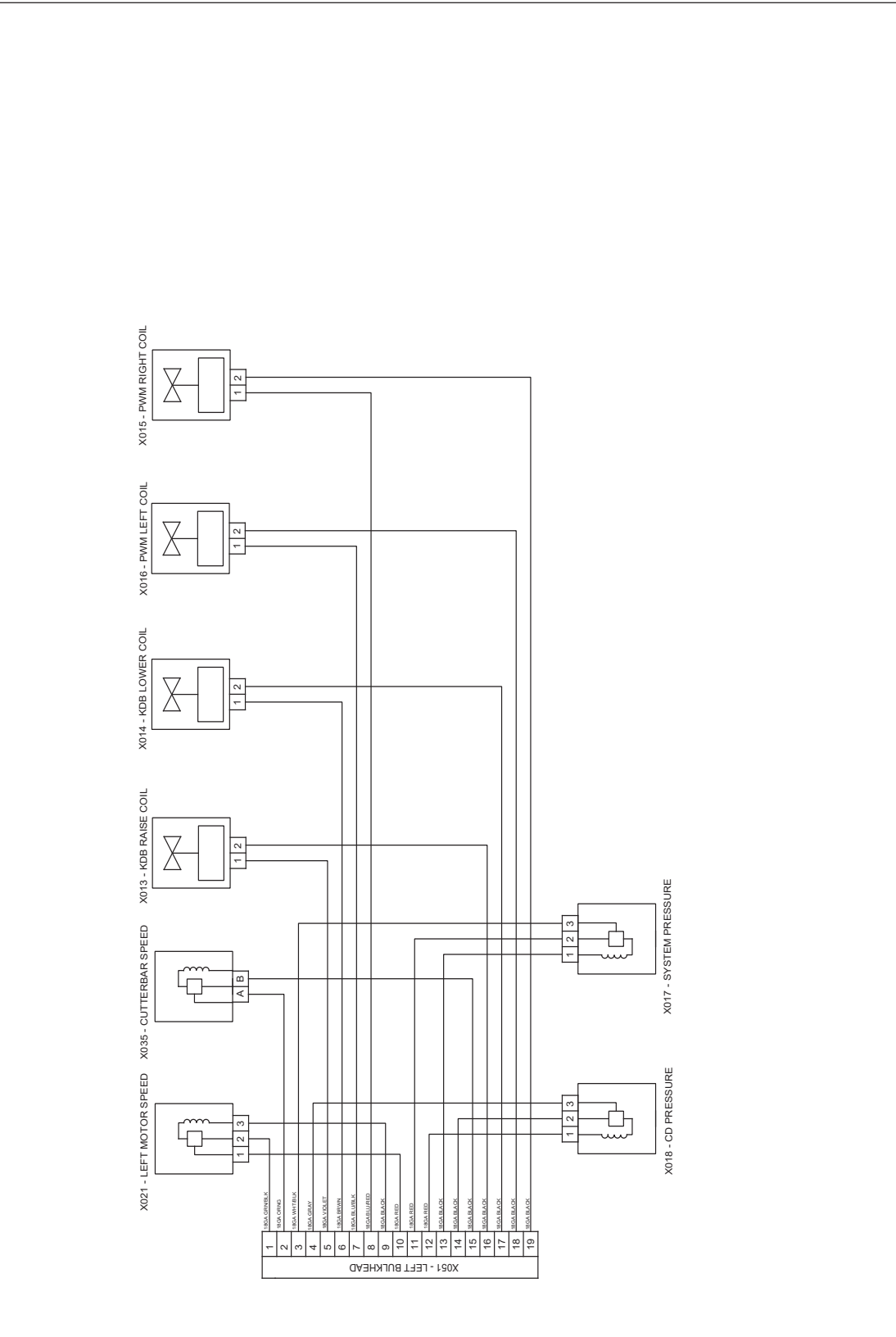
CONNECTOR	DESCRIPTION	TYPE	HOUSING PART #	TERMINAL PART #	ACCESSORIES PART #
X051	LEFT BULKHEAD	DEUTSCH	HDP26-18-21SN	0462-201-20141	HD30-18BT-BK, 0413-204-2005
X013	KDB RAISE COIL	DEUTSCH	DT06-2S	0462-201-16141	W2S
X014	KDB LOWER COIL	DEUTSCH	DT06-2S	0462-201-16141	W2S
X015	PWM RIGHT COIL	DEUTSCH	DT06-2S	0462-201-16141	W2S
X016	PWM LEFT COIL	DEUTSCH	DT06-2S	0462-201-16141	W2S
X017	WORK PRESSURE SENSOR	APTIV	12065287	12048074	
X018	CD PRESSURE SENSOR	AMPSEAL 16	776429-1	1924464-1	
X021	LEFT MOTOR SPEED SENSOR	DEUTSCH	DTM06-3S	0462-201-20141	WM-3S
X035	CUTTERBAR SPEED SENSOR	APTIV	12010973	12089040	

LENGTH TABLE	
BRANCH	LENGTH
1	6 INCHES
2	24 INCHES
3	8 INCHES
4	8 INCHES
5	8 INCHES
6	8 INCHES
7	8 INCHES
8	8 INCHES
9	78 INCHES
10	6 INCHES
11	36 INCHES

Model SC1500 Specialty Seed Header

For Serial Numbers SC1500-24001 thru SC1500-24999

REV.	DESCRIPTION	DATE	BY	HILLCO	Part #																								
A	Released for Production	07/10/2022	SJM	OT ASM- HARNESS, HCU LEFT CONTROL	1375691																								
B	Re-routed X032 to X051 to avoid confusion	02/15/2022	SJM	Material SEE BELOW																									
<table border="1" style="width: 100%; border-collapse: collapse;"> <tr> <td colspan="2">WELD BROUSE CODES</td> <td colspan="2">TREATMENT</td> </tr> <tr> <td>DR. WELD SCALE</td> <td>DR. WELD SCALE</td> <td>PREHEAT</td> <td>NONE</td> </tr> <tr> <td>Z/A = 1/16</td> <td>Z/A = 1/16</td> <td>POSTHEAT</td> <td></td> </tr> <tr> <td>Z/B = 1/8</td> <td>Z/B = 1/8</td> <td></td> <td></td> </tr> <tr> <td>Z/C = 3/16</td> <td>Z/C = 3/16</td> <td></td> <td></td> </tr> <tr> <td>Z/D = 1/2</td> <td>Z/D = 1/2</td> <td></td> <td></td> </tr> </table>						WELD BROUSE CODES		TREATMENT		DR. WELD SCALE	DR. WELD SCALE	PREHEAT	NONE	Z/A = 1/16	Z/A = 1/16	POSTHEAT		Z/B = 1/8	Z/B = 1/8			Z/C = 3/16	Z/C = 3/16			Z/D = 1/2	Z/D = 1/2		
WELD BROUSE CODES		TREATMENT																											
DR. WELD SCALE	DR. WELD SCALE	PREHEAT	NONE																										
Z/A = 1/16	Z/A = 1/16	POSTHEAT																											
Z/B = 1/8	Z/B = 1/8																												
Z/C = 3/16	Z/C = 3/16																												
Z/D = 1/2	Z/D = 1/2																												
<table border="1" style="width: 100%; border-collapse: collapse;"> <tr> <td>DESIGNED</td> <td>DRAWN</td> <td>CHECKED</td> <td>DATE</td> </tr> <tr> <td>1005</td> <td>1005</td> <td></td> <td></td> </tr> <tr> <td>UNIT OF MEASURE</td> <td>INCHES</td> <td>SHEET 2 OF 2</td> <td>W/P</td> </tr> <tr> <td></td> <td></td> <td>N/A</td> <td>N/A</td> </tr> <tr> <td colspan="4"> All information contained herein is the property of Hillco Technology, Inc.'s written permission. Any use, except that for which it may be loaned, is prohibited. </td> </tr> </table>						DESIGNED	DRAWN	CHECKED	DATE	1005	1005			UNIT OF MEASURE	INCHES	SHEET 2 OF 2	W/P			N/A	N/A	All information contained herein is the property of Hillco Technology, Inc.'s written permission. Any use, except that for which it may be loaned, is prohibited.							
DESIGNED	DRAWN	CHECKED	DATE																										
1005	1005																												
UNIT OF MEASURE	INCHES	SHEET 2 OF 2	W/P																										
		N/A	N/A																										
All information contained herein is the property of Hillco Technology, Inc.'s written permission. Any use, except that for which it may be loaned, is prohibited.																													



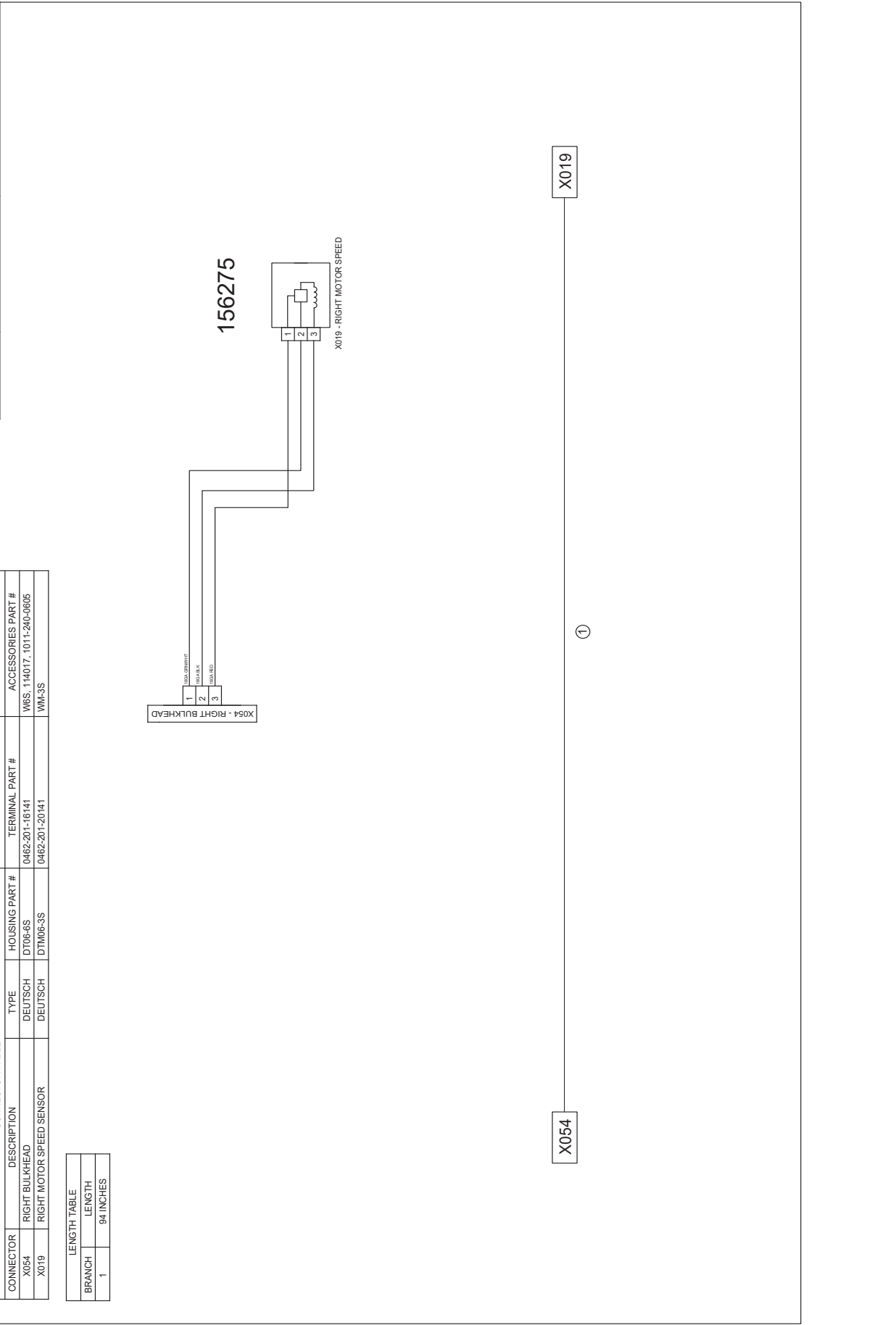
Model SC1500 Specialty Seed Header
For Serial Numbers SC1500-24001 thru SC1500-24999

REV. A	DESCRIPTION Released for Production	DATE 01/10/2022	BY SJM	DESIGNER TILBRANES	Part # 1375701	B
B	Changed W63 to W54 and corrected component part numbers	12/15/2022	SJM	Material SEE BELOW		

W63	W63	W63	W63	W63	W63	W63
W54	W54	W54	W54	W54	W54	W54
W63	W63	W63	W63	W63	W63	W63
W54	W54	W54	W54	W54	W54	W54

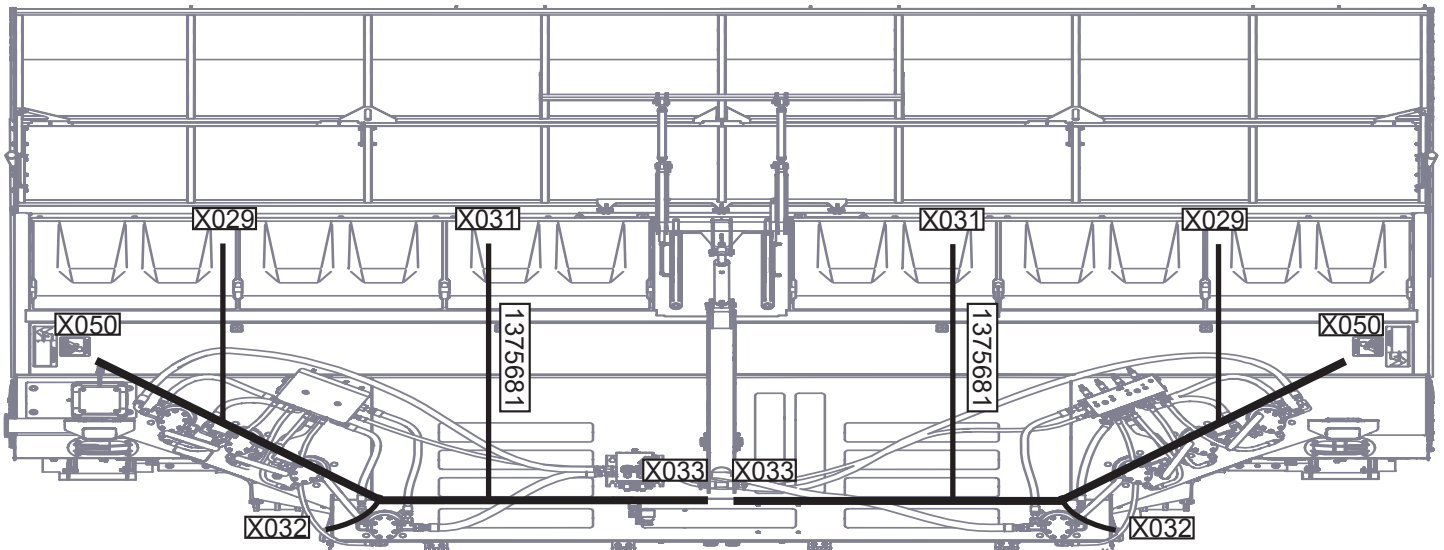
CONNECTOR	DESCRIPTION	TYPE	HOUSING PART #	TERMINAL PART #	ACCESSORIES PART #
X054	RIGHT BULKHEAD	DEUTSCH	DT06-6S	0462-201-16141	W63, 114017, 1011-240-0605
X019	RIGHT MOTOR SPEED SENSOR	DEUTSCH	DTM06-3S	0462-201-20141	MM-3S

BRANCH	LENGTH
1	94 INCHES



Model SC1500 Specialty Seed Header
For Serial Numbers SC1500-24001 thru SC1500-24999

Light harness (1375681)
Installed inside of platform



Model SC1500 Specialty Seed Header
For Serial Numbers SC1500-24001 thru SC1500-24999

REV.	DATE	BY	DESCRIPTION	Part #	1375681	B
A	07/05/2022	SJM	Released for Production	HILLCO		
B	05/05/2022	SJM	Changed X030 From Devison to Aplice to match Berre Part.	OT ASM: HARNESS, HCU/LIGHT EXTENSION		

CONNECTOR TABLE		ACCESSORIES PART #	
CONNECTOR	DESCRIPTION	HOUSING PART #	TERMINAL PART #
X033	LIGHT EXTENSION	DT04-6P	W6P, 114017
X031	SERVICE LIGHT #1	DTM04-2P	WM-2P
X029	SERVICE LIGHT #2	DTM04-2P	WM-2P
X032	STUBBLE LIGHT	DTM04-2P	WM-2P
X030	FLASHER	APTIV	12089188-L

LENGTH TABLE	
BRANCH	LENGTH
1	6 INCHES
2	24 INCHES
3	32 INCHES
4	24 INCHES
5	4 INCHES
6	6 INCHES
7	55 INCHES

X033 - Light Extension

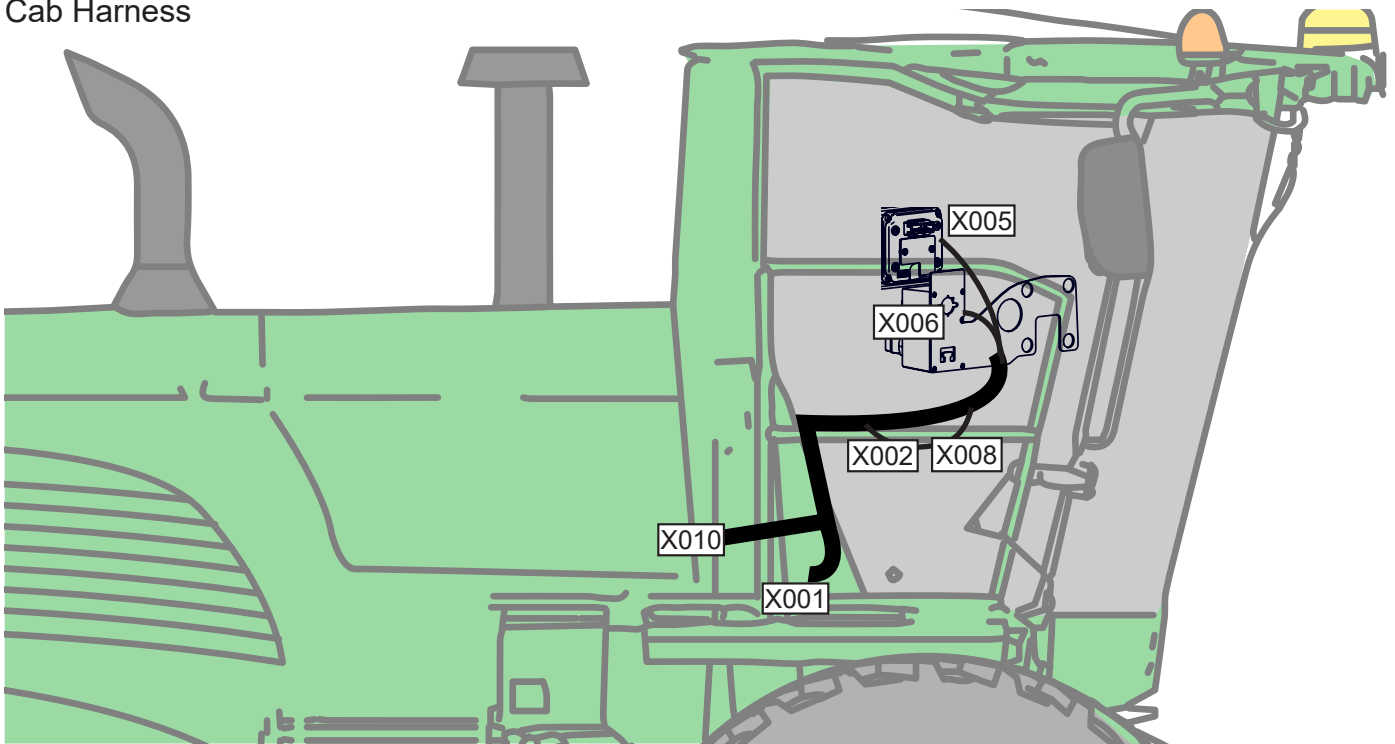
1	RED/BLACK
2	RED/WHITE
3	RED/WHITE
4	RED/BLACK
5	RED/BLACK
6	RED/BLACK

The diagram shows a main harness (X033) with seven branches. Branch 1 (6 inches) connects to X031 (Service Light #1). Branch 2 (24 inches) connects to X029 (Service Light #2). Branch 3 (32 inches) connects to X032 (Stubble Light). Branch 4 (24 inches) connects to X030 (Flasher). Branch 5 (4 inches) connects to X031. Branch 6 (6 inches) connects to X029. Branch 7 (55 inches) connects to X050. A legend identifies wire colors for branches 1-6.

Model SC1500 Specialty Seed Header
For Serial Numbers SC1500-24001 thru SC1500-24999

HCU Harness (1375992)

Cab Harness



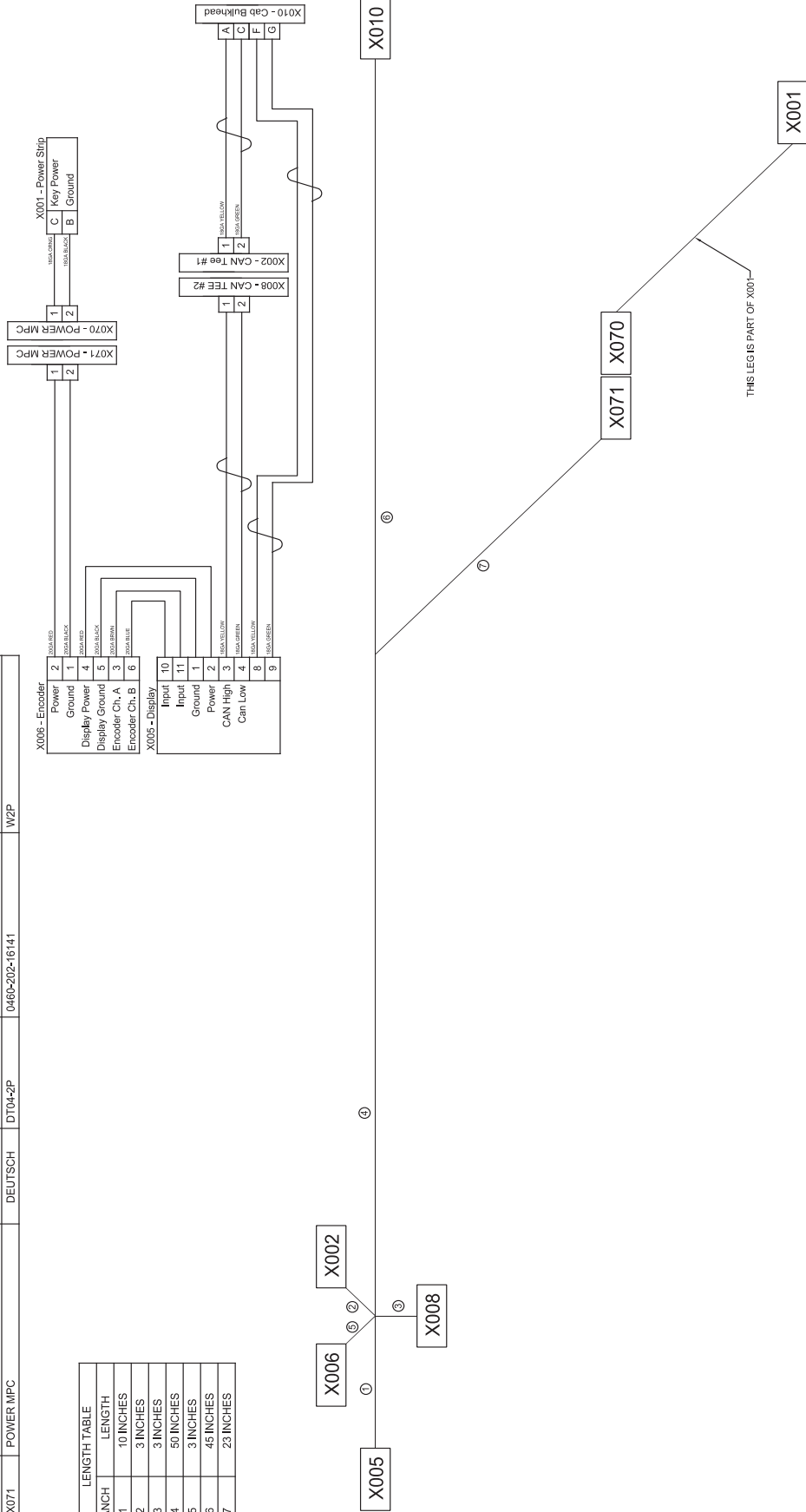
Model SC1500 Specialty Seed Header

For Serial Numbers SC1500-24001 thru SC1500-24999

REV.	A	DESCRIPTION	Released for Production	DATE	BY	SJM	PART #	1375992	A
		HILCO		DESCRIPTION		OT ASM. HARNESS: HCU CAB			
		TERMINALS		SEE BELOW					
		MATERIAL		SEE BELOW					
		DESIGNED		SJM					
		CHECKED		N/A					
		SHEET 1 OF 2		N/A					
		UNIT OF MEASURE		INCHES					
		HOLD according to HILCO Wiring Standards		Doc ID: HILCO-001					

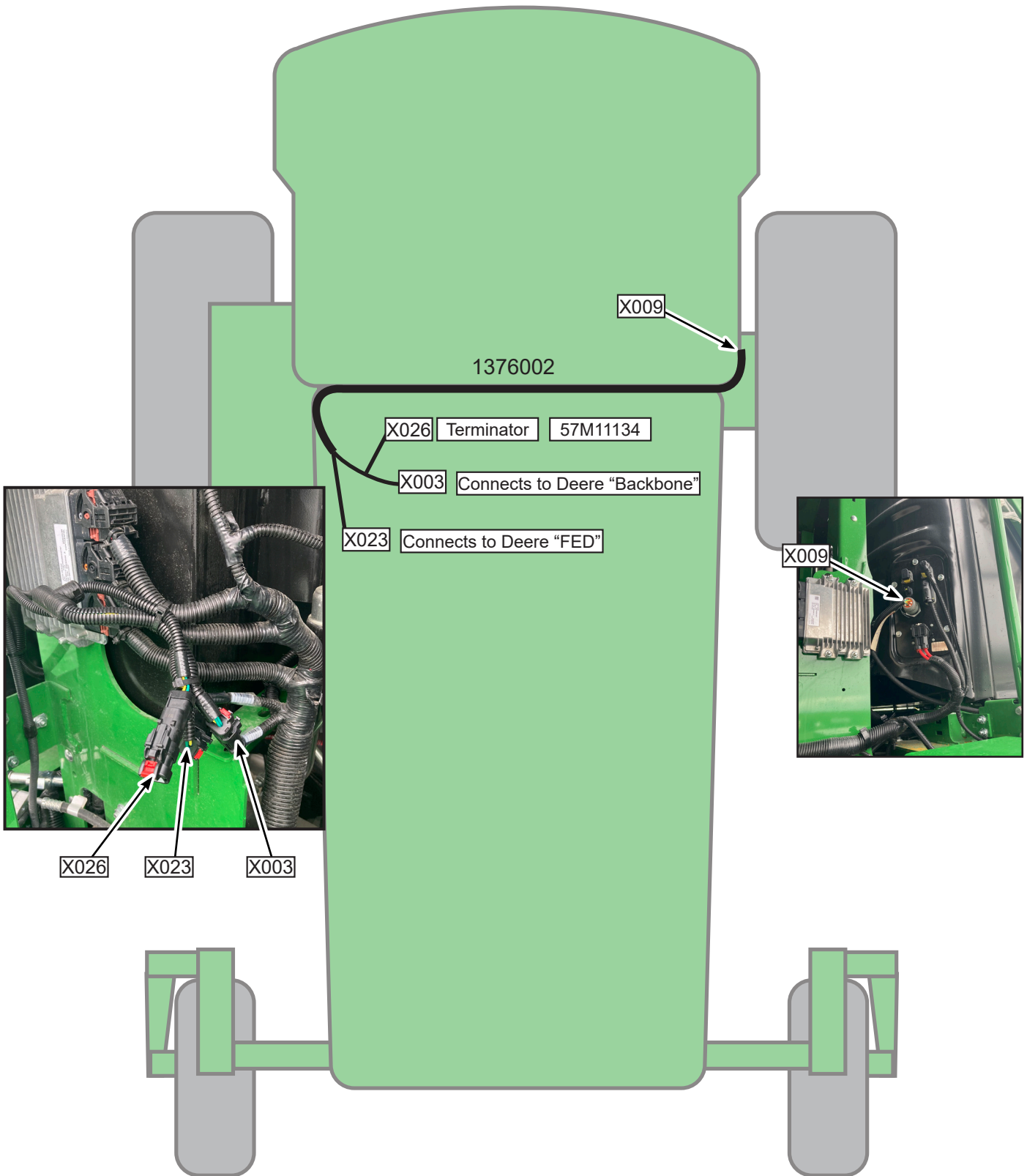
CONNECTOR	DESCRIPTION	TYPE	HOUSING PART #	TERMINAL PART #	ACCESSORIES PART #
X001	POWER STRIP	JOHN DEERE	RE67013		
X002	CAN TEE #1	DEUTSCH	DTM06-2S	0462-201-20141	WM-2S
X005	DISPLAY	DEUTSCH	DTM06-12SA	0462-201-20141	WM-12S
X006	ENCODER PCB	MOLEX	39012065	39000038	
X008	CAN TEE #2	DEUTSCH	DTM06-2S	0462-201-20141	WM-2SB
X010	CAB BULKHEAD	DEUTSCH	HD10-9-96P-E025	0460-202-16141	2411-002-1805, 114017
X070	POWER MPC	DEUTSCH	DT06-2S	0462-201-16141	W2S
X071	POWER MPC	DEUTSCH	DT04-2P	0460-202-16141	W2P

BRANCH	LENGTH
1	10 INCHES
2	3 INCHES
3	3 INCHES
4	50 INCHES
5	3 INCHES
6	45 INCHES
7	23 INCHES



HCU CAN Extension Harness (1376002)

CAN Harness



Model SC1500 Specialty Seed Header

For Serial Numbers SC1500-24001 thru SC1500-24999

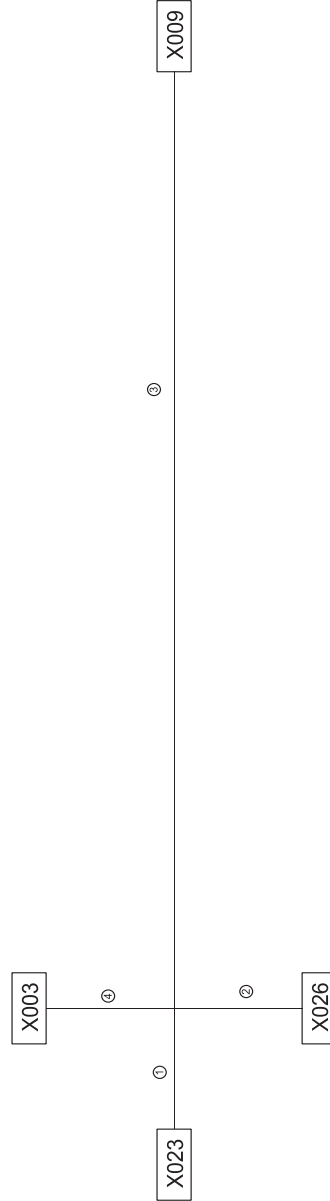
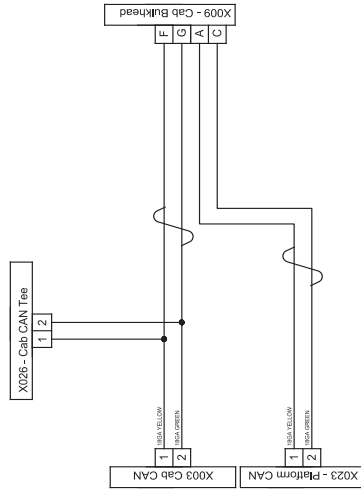
REV.	DATE	BY	DESCRIPTION	Part #	1376002	B
A	04/13/2022	SJM	Released For Production			
B	04/26/2022	SJM	Lengthened Branch 3 1/2"			

MAXIMUM SCALE	DATE	BY	DESCRIPTION	Part #	1376002	B
1/4" = 1" (1:4)						
1/8" = 1" (1:8)						
1/16" = 1" (1:16)						

DESCRIPTION	Material	SEE BELOW	OT ASM. HARNESS, HCU CAN EXTENSION	Treatment	NONE

CONNECTOR	DESCRIPTION	TYPE	HOUSING PART #	TERMINAL PART #	ACCESSORIES PART #
X003	CAB CAN	AMPSEAL 16	776427-1	1924464-1	
X009	CAB BULKHEAD	DEUTSCH	HD16-9-96S	0462-201-16141	114017
X023	PLATFORM CAN	AMPSEAL 16	776427-1	1924464-1	
X026	CAB CAN TEE	AMPSEAL 16	776428-1	1924463-1	

LENGTH TABLE	
BRANCH	LENGTH
1	8 INCHES
2	8 INCHES
3	74 INCHES
4	8 INCHES



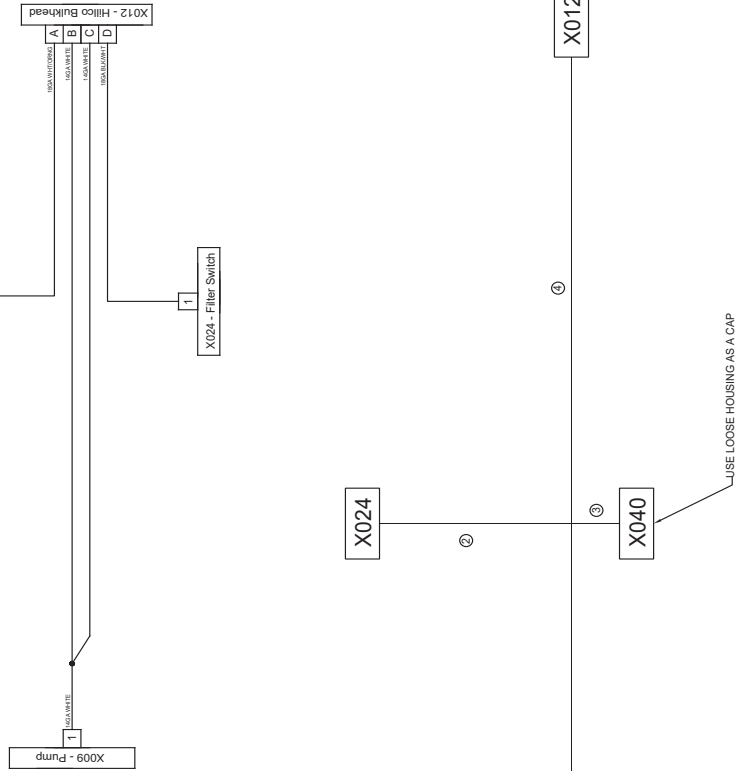
Model SC1500 Specialty Seed Header

For Serial Numbers SC1500-24001 thru SC1500-24999

REV.	DESCRIPTION	DATE	BY	HILLCO *****	Part #	1376011	B
A	Released for Production	01/19/2022	SJM	DESCRIPTION	OT ASM. HARNESS, WIET KIT		
B	Revised 3011 to 3012 to avoid confusion	12/15/2022	SJM	Material	SEE BELOW		

CONNECTOR	DESCRIPTION	TYPE	HOUSING PART #	TERMINAL PART #	ACCESSORIES PART #
X009	PUMP	MOLEX		19606-0005	
X012	HILCO BULKHEAD	DEUTSCH	HD10-9-96P-B025	0460-215-16141	2411-002-1805, 114017
X024	FILTER SWITCH	MOLEX		19044-0075	
X040	AUXILIARY OUTPUT	APTIV	12010996	12089040	15324862, 12015791, 12010300

BRANCH	LENGTH
1	118 INCHES
2	24 INCHES
3	6 INCHES
4	62 INCHES



UNIT OF MEASURE: INCHES. Sheet 1 of 1. Wt: N/A. Hillco according to HILLCO Welding Standards. Doc ID: 66240100A

All information contained in this document is confidential and proprietary. Do not distribute or reproduce without permission. If you are not an authorized user, contact your Hillco account manager. If you are an authorized user, contact your Hillco account manager for more information.

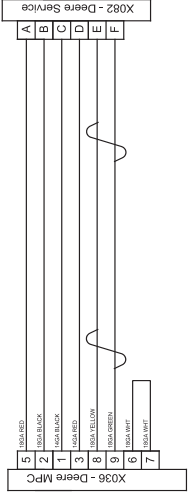
Model SC1500 Specialty Seed Header
For Serial Numbers SC1500-24001 thru SC1500-24999

REV.	DESCRIPTION	DATE	BY	UNIT MEASURE	QTY	1376241	Part #	B
A	Released for Production	10/12/2022	SJM	Do Not Scale				
B	Corrected X036 part numbers & codes are between plus 647	03/29/2022	SJM	Lot = 1005				


Material	DESCRIPTION	OT ASM, HAR, DEERE SERVICE	Treatment	NONE
Size = 4.00	Lot = 1005	SEE BELOW		
UNIT OF MEASURE	SHEET 1 OF 1	MP	N/A	
UNIT OF MEASURE	SHEET 1 OF 1	MP	N/A	

CONNECTOR	DESCRIPTION	TYPE	HOUSING PART #	TERMINAL PART #	ACCESSORIES PART #
X036	DEERE MPC	DEUTSCH	HDP26-24-9ISE-P064	0462-201-16141, 0462-203-12141, 0462-203-08141	114017
X082	DEERE SERVICE	DEUTSCH	HD16-9-1939S	0462-201-16141, 0460-215-16141	HD30-18BT-BK, 114017

BRANCH	LENGTH
1	70 INCHES

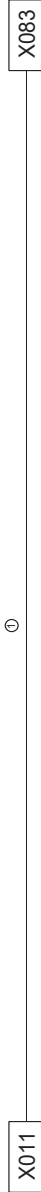
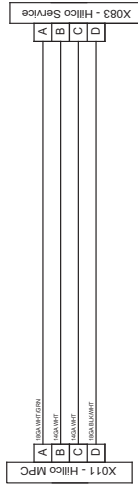


Model SC1500 Specialty Seed Header
 For Serial Numbers SC1500-24001 thru SC1500-24999

REV. A	DESCRIPTION Released for Production	DATE 02/07/2022	BY CJM	 HILLCO Description: OT ASM - HAR - HILLCO SERVICE Part #: 1376251	A
MUST BE ORDERED FROM HILLCO 24" x 7/16" (max) - 11" (min)		Material: SEE BELOW Max E-100: 10000-10005 Max E-100: 10000-10005 Unit of Measure: INCHES Weight according to HILLCO Weighing Standards Doc: 00-3020-000A			
Finish: NONE Max E-100: 10000-10005 Unit of Measure: INCHES Weight according to HILLCO Weighing Standards Doc: 00-3020-000A		Material: SEE BELOW Max E-100: 10000-10005 Unit of Measure: INCHES Weight according to HILLCO Weighing Standards Doc: 00-3020-000A			

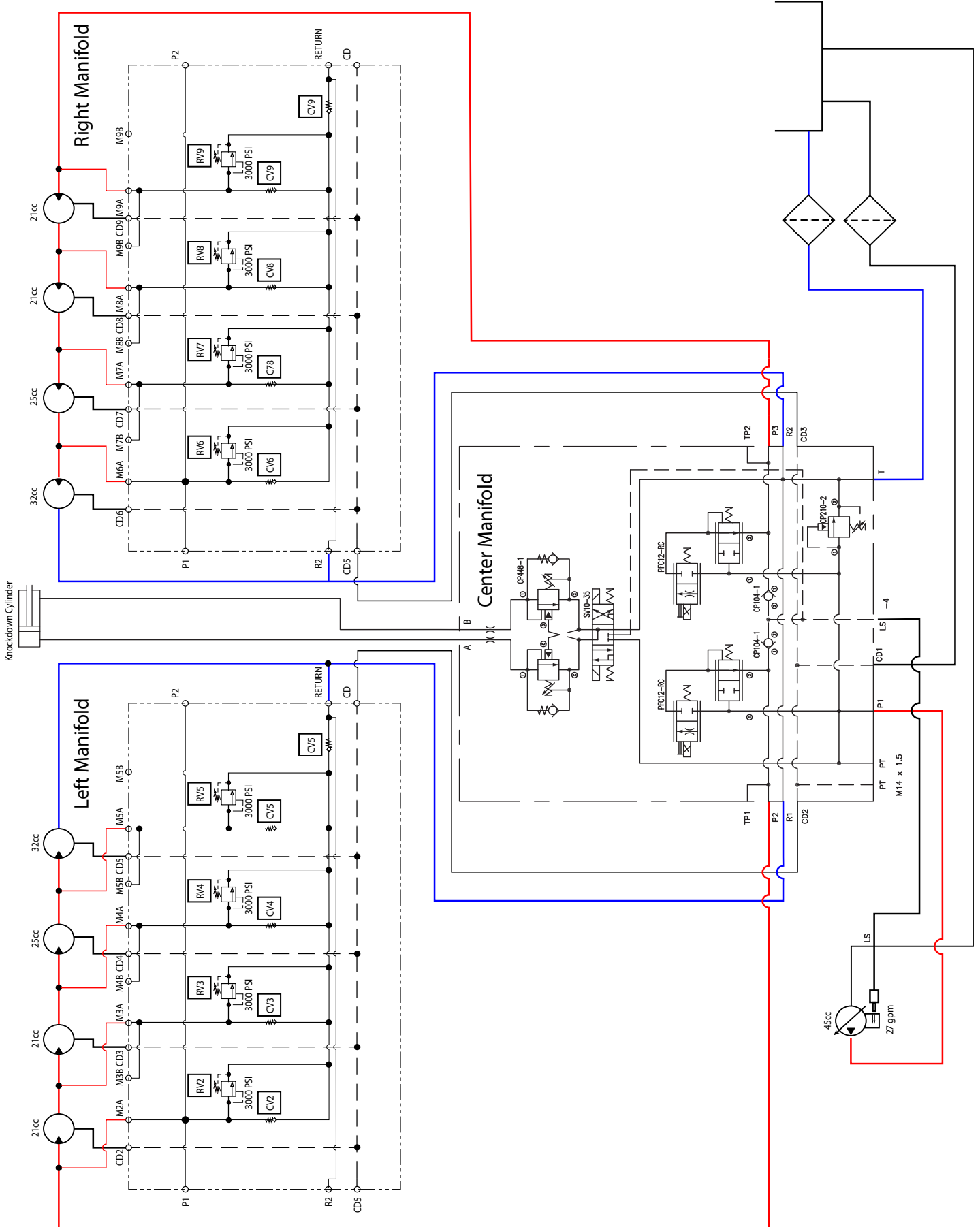
CONNECTOR TABLE				
CONNECTOR	DESCRIPTION	TYPE	HOUSING PART #	ACCESSORIES PART #
X011	HILLCO MPC	DEUTSCH	HD16-9-96S	HD30-18BT-BK, 114017
X083	HILLCO SERVICE	DEUTSCH	HD16-9-96S	HD30-18BT-BK, 114017

LENGTH TABLE	
BRANCH	LENGTH
1	70 INCHES

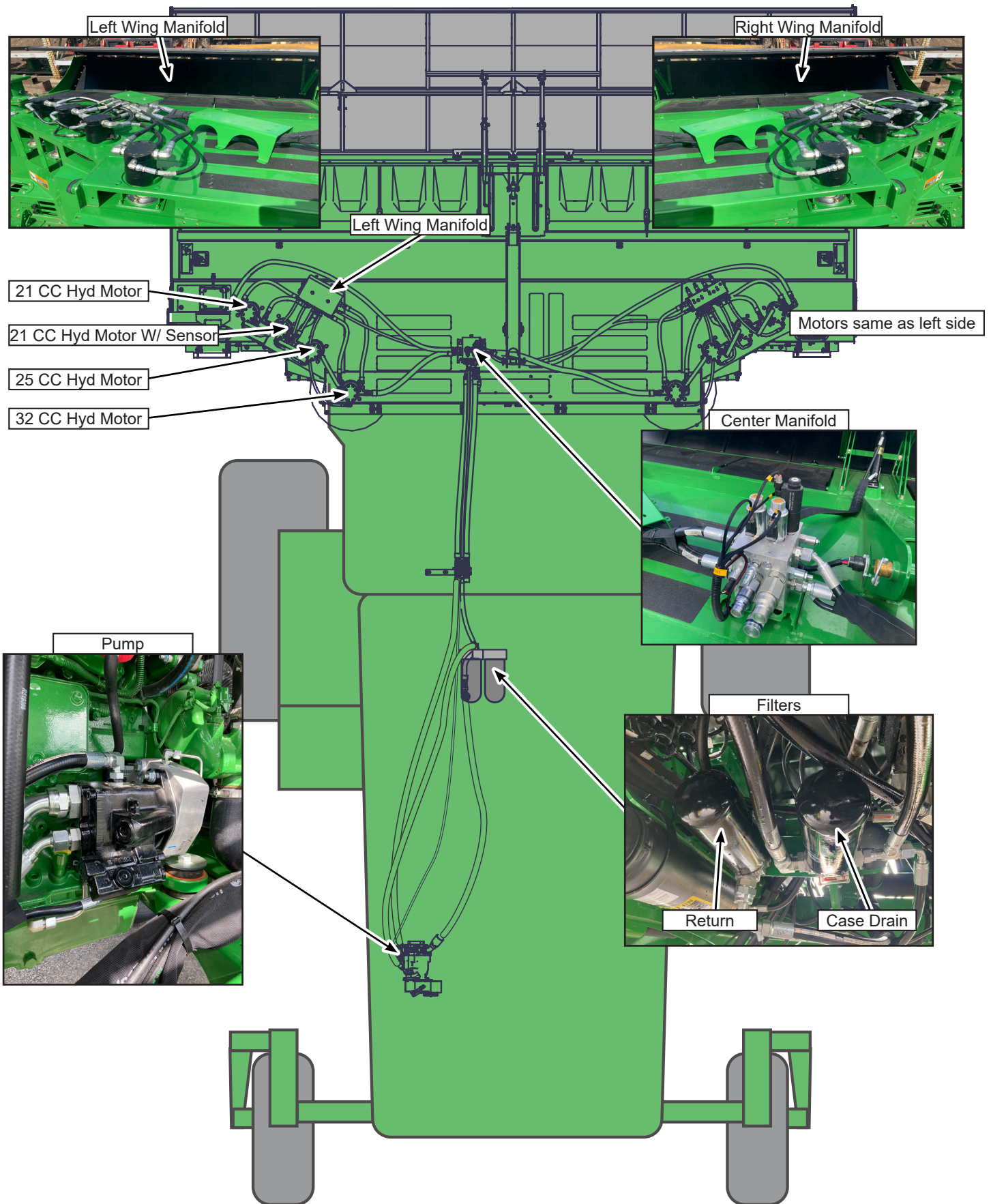


Model SC1500 Specialty Seed Header
 For Serial Numbers SC1500-24001 thru SC1500-24999

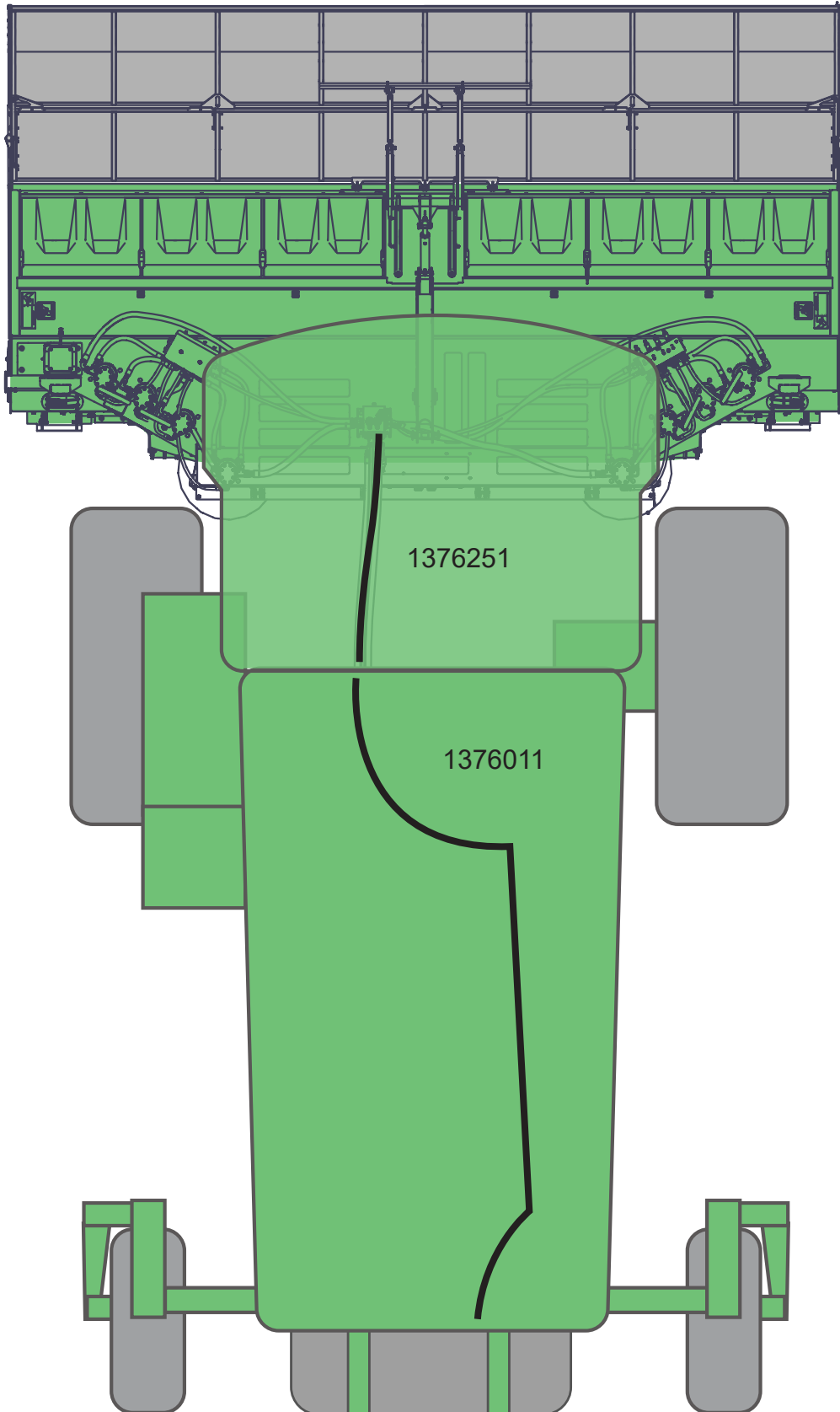
Hydraulic Components & Schematic



Model SC1500 Specialty Seed Header
For Serial Numbers SC1500-24001 thru SC1500-24999
Hydraulic Components & Schematic

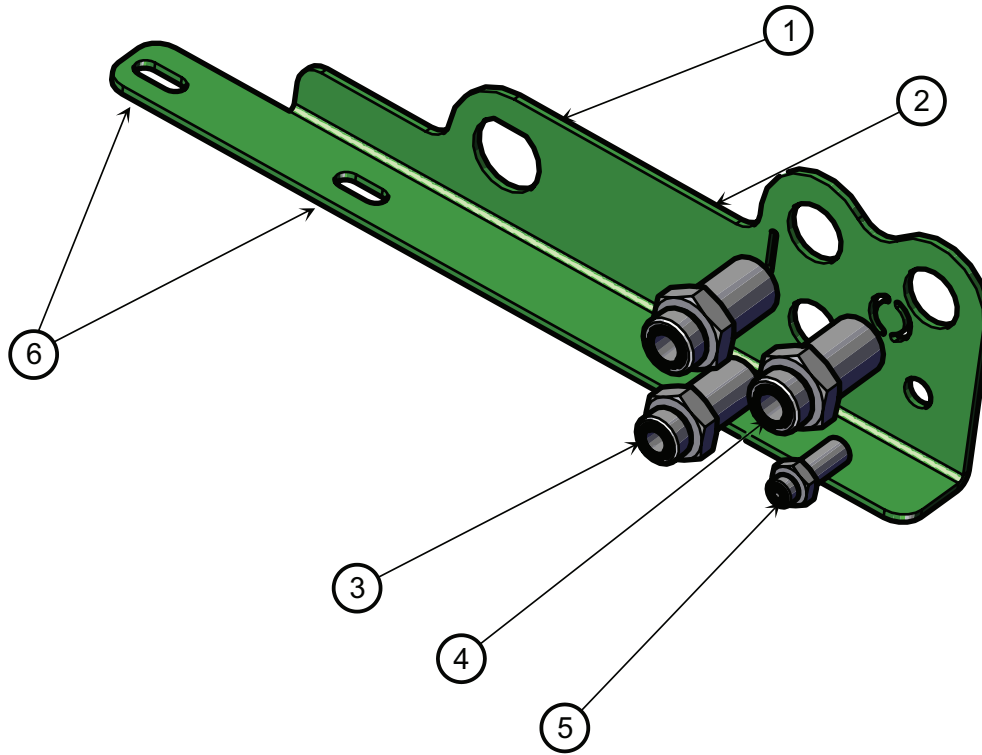


Model SC1500 Specialty Seed Header
For Serial Numbers SC1500-24001 thru SC1500-24999



Model SC1500 Specialty Seed Header
 For Serial Numbers SC1500-24001 thru SC1500-24999

Bulkhead

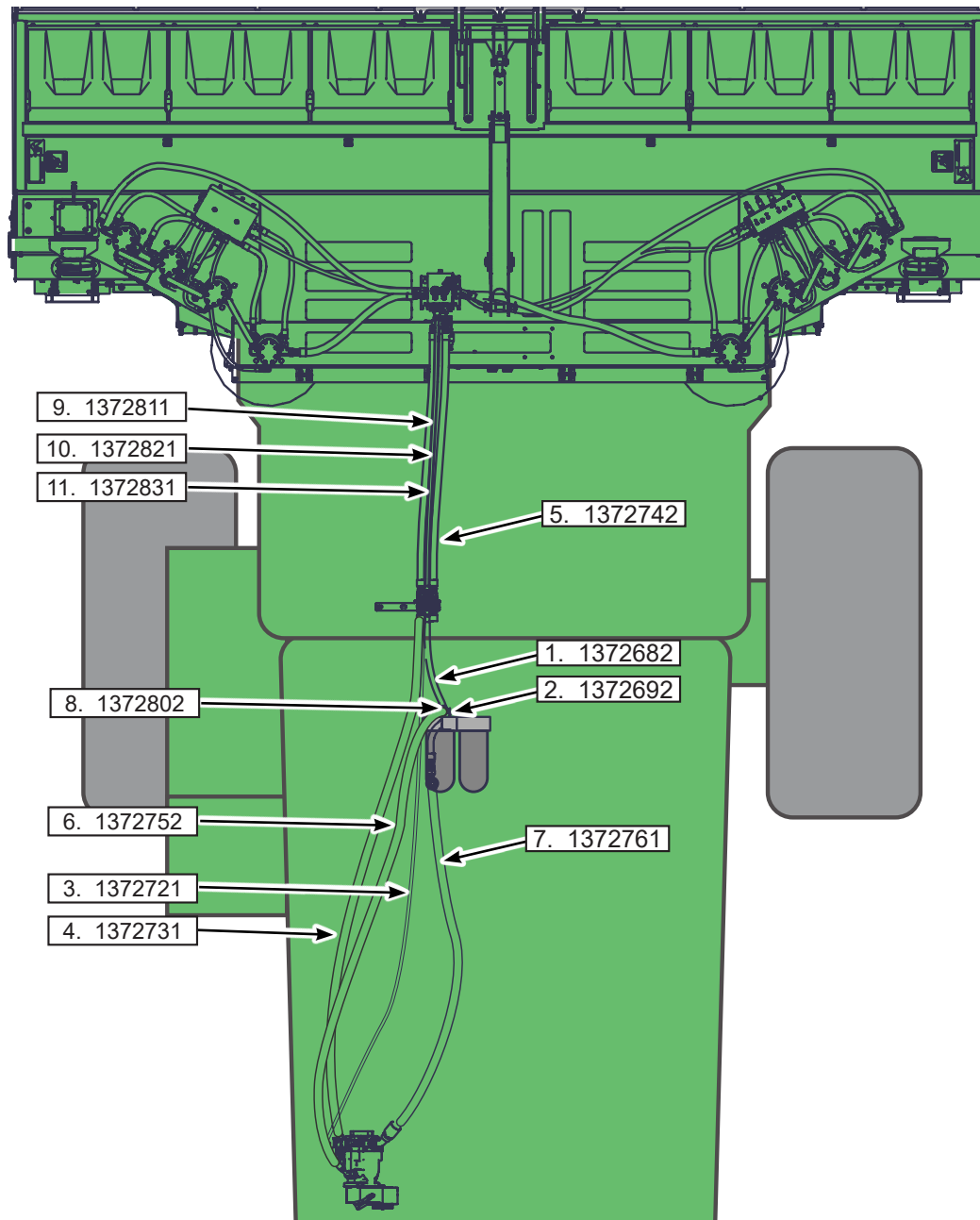


BOM ID	Hilco Part No.	Qty	John Deere Part No.	Description
1	1373622	1		BULKHEAD MNT
2	1378491	1		BULKHEAD, COMPLETE W/ FITTINGS
3	1054.10	1	99JD15003	BULKHEAD STR -10MORFS x -10 MORFS
4	1054.12.12	2	99JD75001	BULKHEAD -12 ORFS
5	1054.04.04	1	99JD75002	BULKHEAD -4 ORFS
6				USE EXISTING JOHN DEERE BOLTS

Model SC1500 Specialty Seed Header
 For Serial Numbers SC1500-24001 thru SC1500-24999

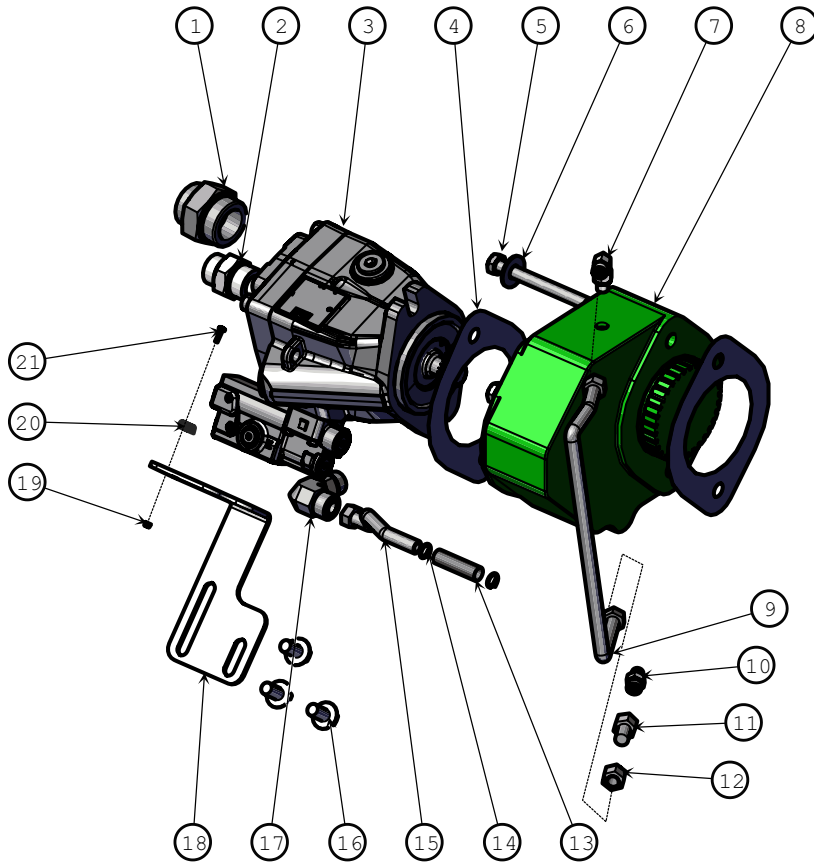
Pump Kit Hoses

BOM ID	Hillco Part No.	Qty	John Deere Part No.	Description
1	1372682	1		HOSE 100R17AR -12x58-1/2",-12FF STR X -16ff 90° D56MM
2	1372692	1		HOSE 100R17AR -16 x 51-1/2" -16FF STR X -16FF 90° D56MM
3	1372721	1		HOSE 100R17AR -04 X 124" -04FORS STR X-04FORFS 90°D32MM
4	1372731	1		HOSE 100R17AR -12 X 124" -12FORS X -12FORS 45°
5	1372742	1		HOSE 100R17AR -10 X 64" -10FORS X -10FORS 90° D32MM
6	1372752	1		HOSE 100R17AR -10 X 80" -10FORS STR X -10FORS STR
7	1372761	1		HOSE 100R17AR -20 X 91" -16FORS X -20FORS 45°
8	1372802	1		HOSE 100R17AR -12 X 31" -12FORS STR X -16FORS
9	1372811	2		HOSE 100R17AR -12 X 64-1/2" -12FORS X -12MORB
10	1372821	1		HOSE 100R17AR -10 X 65" -10FORS X -10MORB
11	1372831	1		HOSE 100R17AR -04 X 67-1/2" -4FORS X -6MORB



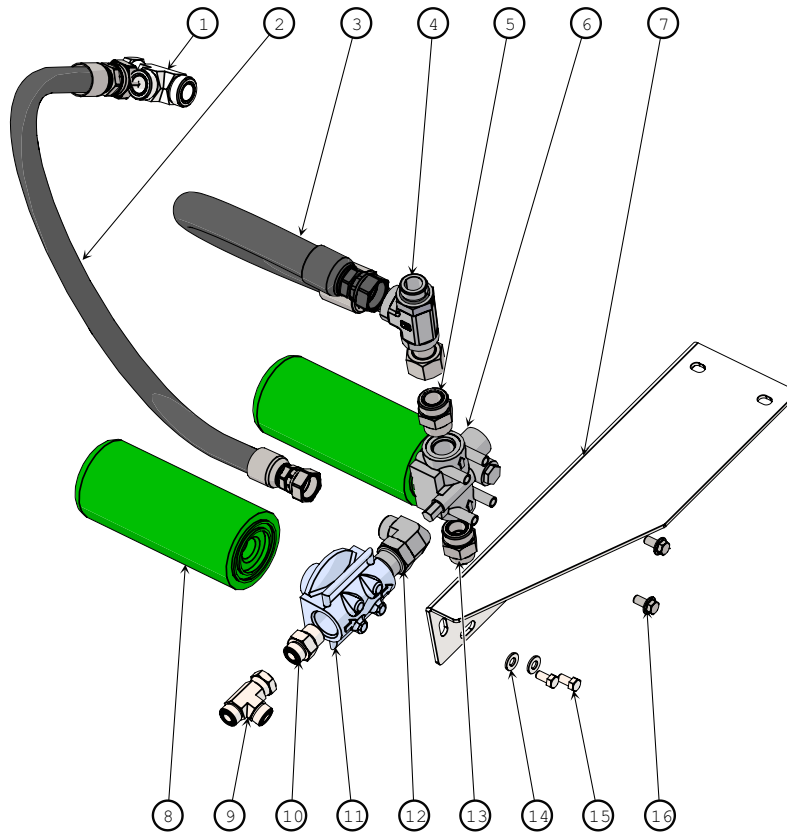
Model SC1500 Specialty Seed Header
For Serial Numbers SC1500-24001 thru SC1500-24999

Pump and Gearcase



BOM ID	Hillco Part No.	Qty	John Deere Part No.	Description
1	1001.24.20	1		STRAIGHT, -24MORB x -20MORFS
2	1001.16.12	1		STRAIGHT, -16MORB X -12MORFS
3	156091	1	99JD70303	PUMP, SERIES 45. AXIAL PORTED
4	156152	2	R522690	GASKET
5	121.012.110	2	19M7790	BOLT,HEX,CL10.9 M12 X 1.75 X 110
6	105.008	2	24M7047	WASHER, FLAT 1/2"
7	1003.04.04	1	38H5015	90° -4MORB X -4MORFS
8	156151	1	RE544941	AUXILIARY DRIVE, ASSEMBLY
9	156158	1	RE539061	OIL LINE
10	1001.04.04	1	15H700	STRAIGHT, -4MORB X -4MORFS
11	156159	1	R110664	COUPLING
12	156160	1	15H700	BUSHING, PIPE
13	10315.00065	1	DIN73411	HOSE,HEATER, 5/8"x 2-1/2"
14	156155	2	M19356	HOSE CLAMP
15	156156	1	RE539062	OIL LINE,
16	122.012.025	3	19M7788	BOLT,HEX,FLANGE,CL10.9 M12X25
17	1025.22.10	1	38H5018	MALE O-RING FACE 90° X MALE METRIC
18	1378421	1		HYD PUMP SUPPORT
19	119.#06	1		NUT,HEX,FLANGE,SERRATED 6-32
20	156032	1		BUMPER,UNTHREADED, TAPERED RND 43/64"OD X 1/4" HIGH
21	114.#06.008	1		SCREW,PHM,CH 6-32X1/2

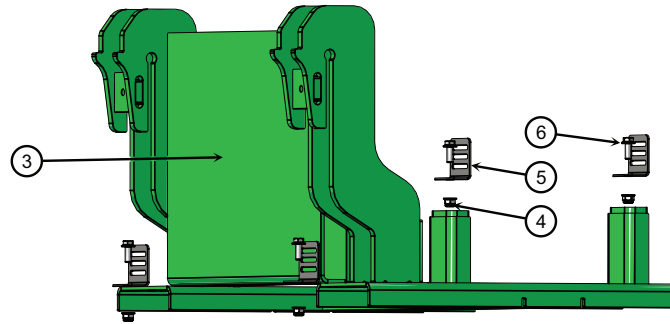
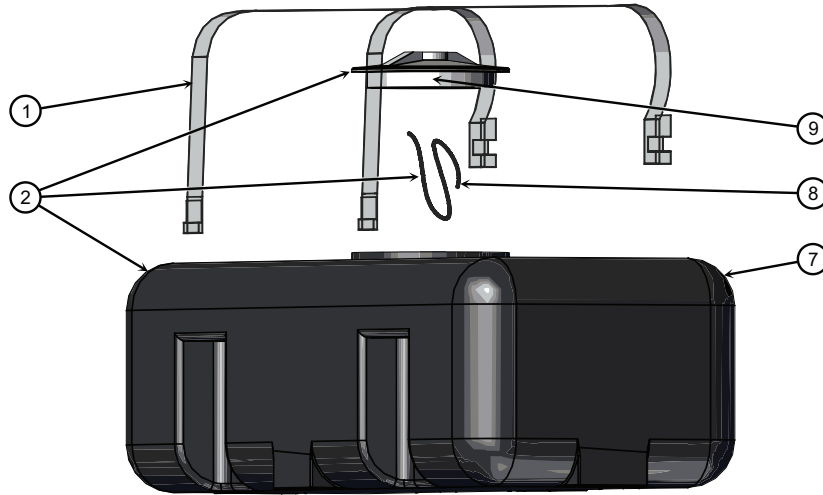
Model SC1500 Specialty Seed Header
 For Serial Numbers SC1500-24001 thru SC1500-24999
Filter



BOM ID	Hillco Part No.	Qty	John Deere Part No.	Description
1	1008.16	1		TEE,SWIVEL,NUT,RUN
2	1372802	1		HOSE, 100R17AR-12x31";-12FFORS STRx-16FFORS
3	1372692	1		HOSE, 100R17AR-16x51-1/2";-16FF STRx-16FF 90° 56MM
4	1083.016	1		TEE SAE ORB, RUN -16ORB
5	1001.16.16	1		-16MORB x -16MORFS
6	143441	1	AH125733	FILTER ASSEMBLY, OIL
7	1378281	1		DUAL FILTER MNT
8	156161	1	AH128449	OIL FILTER
9	1008.10	1		SWV,NUT,RUN
10	1001.16.10	1		-16MORBx-10MORFS
11	156119	1	99JD71607	HYDRAULIC FILTER HEAD, SAE-16,4 PSI BYPASS
12	1003.16.12	1		-16MORB x-12MORFS
13	1001.12.16	1		-16MORB X -12MORFS
14	105.006	2		WASHER,FLT 3/8
15	102.006.012	2		BOLT,HEX,GR8 3/8-16X3/4"
16	122.010.020	2	19M7784	BOLT,HEX,FLANGE,CL10.9 M10X20

Model SC1500 Specialty Seed Header
 For Serial Numbers SC1500-24001 thru SC1500-24999

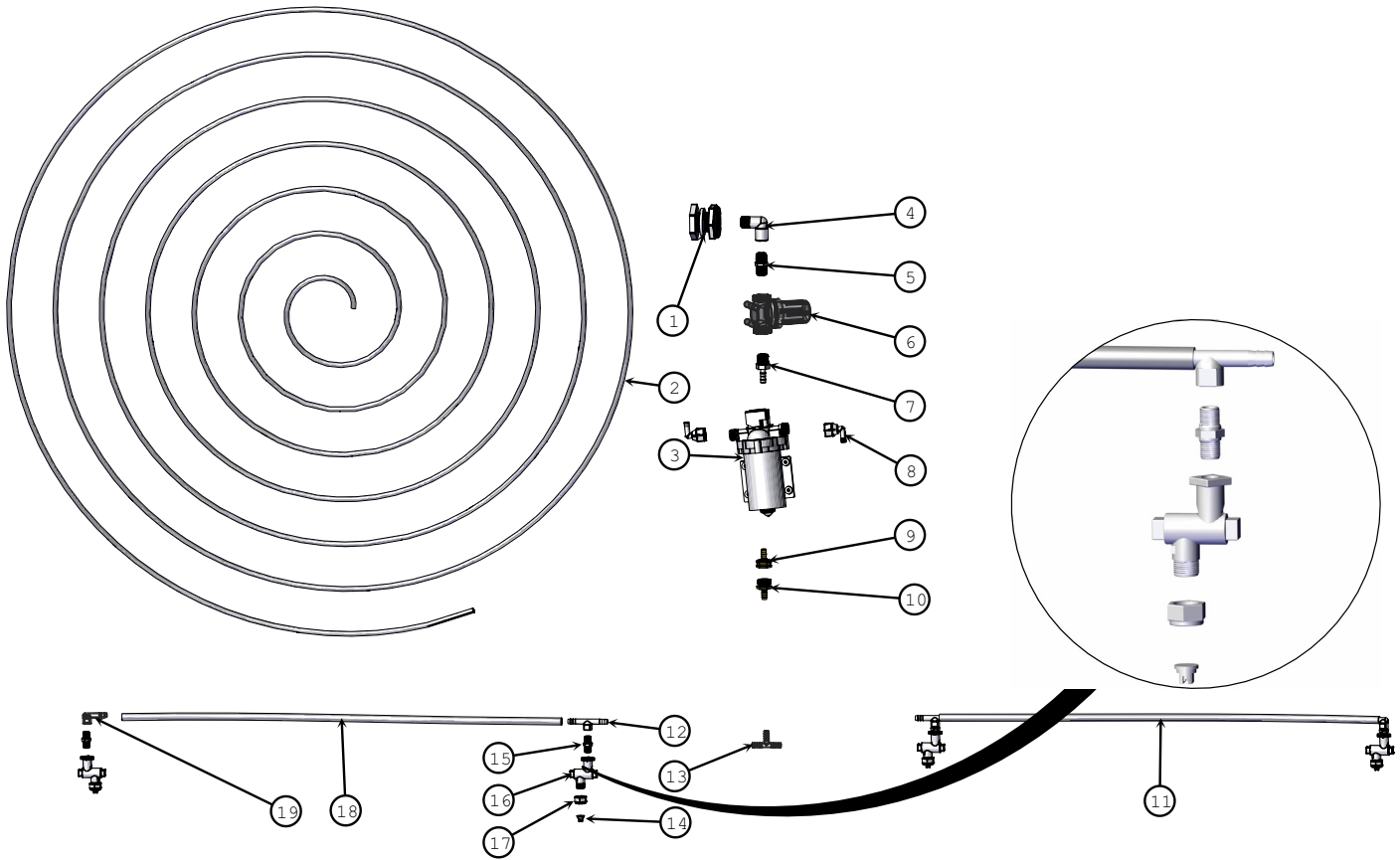
Spray Kit Option - Frame And Tank



BOM ID	Hillco Part No.	Qty	John Deere Part No.	Description
1	10298.32.00832	1	50TRSWB	STRAP, WOVEN NYLON 2" X 52"
2	1374691	1	50RTFWB	50 GALLON POLYETHYLENE TANK AND LID
3	1374241	1		SPRAY KIT FRAME
4	127.010	4	14M7400	NUT, HEX, FLANGE, NYLOCK M10
5	1374641	4		TANK STRAP BUCKLE
6	122.010.025	4	19M7785	BOLT, HEX, FLANGE, CL10.9 M10 X 25MM
7	156166	1		50 GALLON POLYETHYLENE TANK
8	10296.02.00288	1	TY15930	NYLON ROPE, 1/8" X 18"
9	156167	1		8" LID WITH AIR VENT

Model SC1500 Specialty Seed Header
For Serial Numbers SC1500-24001 thru SC1500-24999

Spray Kit Option - Hose And Pump



BOM ID	Hillco Part No.	Qty	John Deere Part No.	Description
1	156216	1	PMT050	1/2" POLY, EPDM TANK FITTING
2	10304.06.08832	1	K3155-38	TUBING, 3/8" DIA X 552" PVC W/SPIRALED POLY YARD
3	156165	1	2088-343-135	12VDC,45PSI,3.0GPM, 1/2"NPSM DIAPHRAM PUMP, 2088 SERIES
4	156219	1	PMHB050-90	1/2" POLY STREET ELBOW 90°
5	156220	1	PMN1050-SH	1/2" SHORT POLY NIPPLE
6	156221	1	PMLSTM050-50	MINI T-STRAINER W/30 MESH SCREEN
7	156217	1	PMNB050-38	POLY MALE STRT HOSE BARB, 1/2"MPT X 3/8" BARB
8	156169	2	66.234-3916	WINGNUT SWIVEL ELBOW
9	156222	1	3/8GHF	FITTING, 3/8"BARB X FEMALE GARDEN HOSE FITTING
10	156223	1	3/8GHM	FITTING, 3/8" BARB X MALE GARDEN HOSE FITTING
11	10304.06.00568	1	K3155-38	TUBING, 3/8" DIA X 35.5" PVC W/SPIRALED POLY YARD
12	156215	2	13435-406NYB	1/4" FPT X 3/8 HOSE BARB TEE
13	156218	1	3T38	3/8" POLY HOSE BARB TEE
14	156171	4	TP8006EUS	TEE JET 8006EVS SPRAY TIP 80°
15	1078.04	4	PMNIP025-SH	NIPPLE, POLY PIPE 1/4" SHORT
16	156168	4	8600-1/4T-NYB	1/4" FPT 1 OUTLET SWIVEL NOZZLE BODY
17	156170	4	CP8027-NYB	TEEJET NYLON CAP, CP8027-NYB
18	10304.06.00568	1	K3155-38	TUBING, 3/8" DIA X 35.5" PVC W/SPIRALED POLY YARD
19	156214	2	13434-406NYB	ADAPTER, 1/4" FPT 3/8 HOSE SHANK

Decals



1377451 (RH)



1377471 (LH)

! WARNING

Components behind guards or access doors in this area may rotate possibly several minutes, after power is shut off.

To avoid bodily injury:

1. Look and listen for evidence of rotation.
2. Do not open or move guard or access door until all components have stopped.

156041

! WARNING



AVOID INJURY FROM ROTATING KNIVES

- Keep hands and feet away while machine is running
- Shut off power to service, lubricate or fold for transport.

156042

! DANGER



Entanglement in rotating driveline can cause serious injury or death.

Keep all shields in place.

Avoid contact with rotating parts.

156045

! WARNING



Avoid serious injury from entanglement. Never raise shield with the engine running. Stop engine and remove key.

156046

! DANGER



PINCH POINT HAZARD

- Keep hands, feet and body away from moving parts.
- Do not stand or climb on machine when operating.

155139

Model SC1500 Specialty Seed Header
 For Serial Numbers SC1500-24001 thru SC1500-24999

Decals



147651



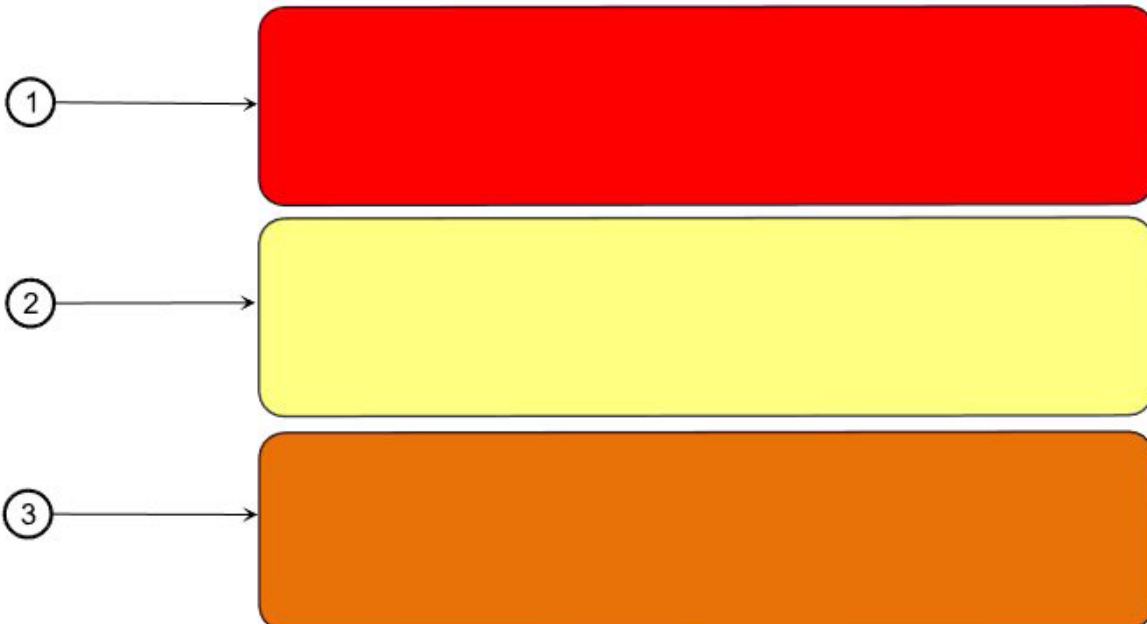
156210



100790



BOM ID	Hillco Part No.	John Deere Part No.	Qty	Description
1	1347431		2	STICKER, RED, 2"X9"
2	1347441		2	STICKER, YELLOW, 2"X9"
3	1347451		2	STICKER, RED/ORANGE, 2"X9"

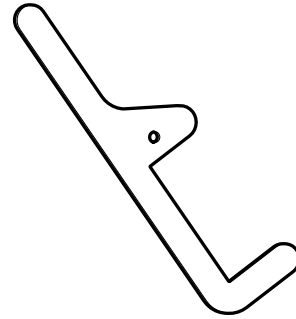


Model SC1500 Specialty Seed Header
For Serial Numbers SC1500-24001 thru SC1500-24999

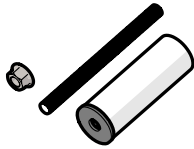
Specialty Tools



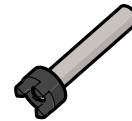
J13971
Drum Shaft Alignment Tool



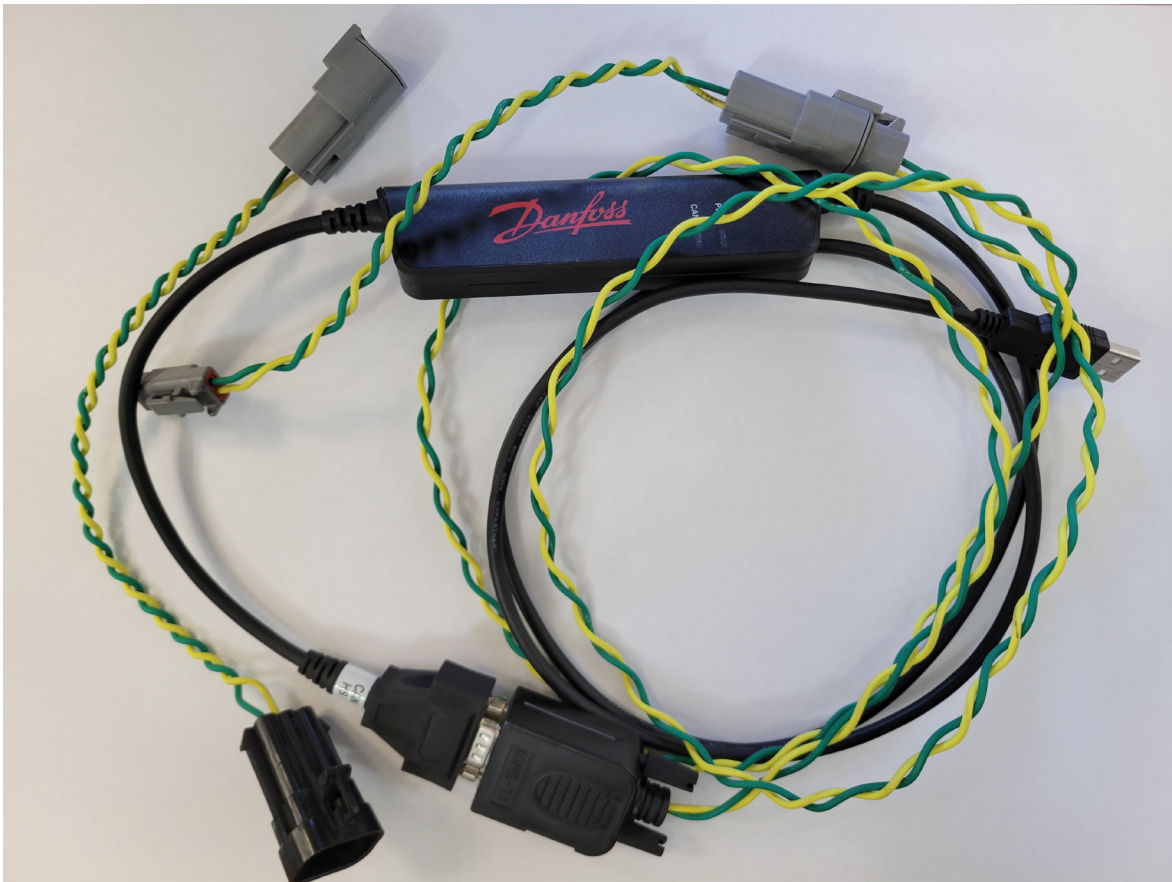
1379701
Drum Wrench 7"



J16801
Shaft Puller



J16821
Lovejoy Driver



1301271
CAN Gateway