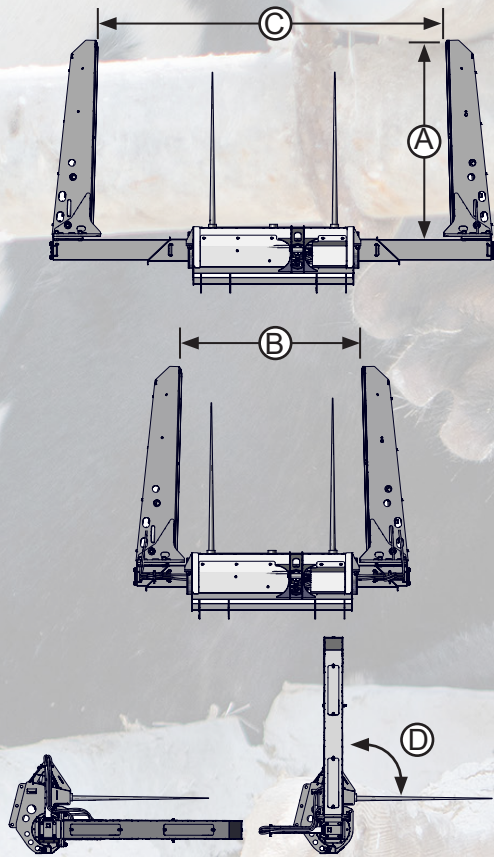


Specifications

WTR410 for 4' deep round bales and 4' large square bales.

WTR510 for 5' deep round bales.

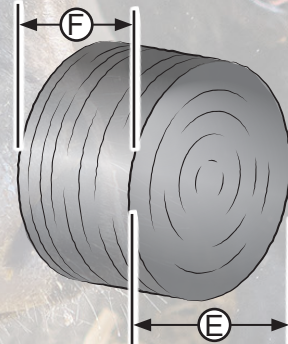
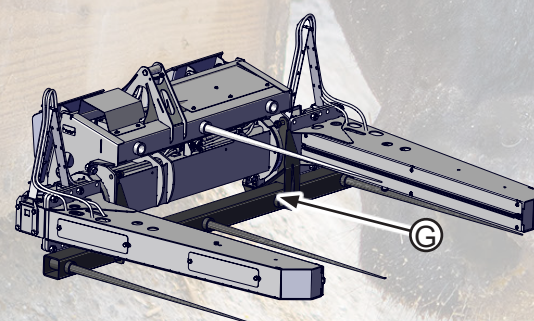
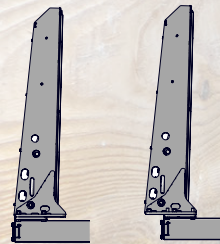
Both the 410 and 510 have a narrow and wide position for additional adjustment.



	WTR410 Narrow	WTR410 Wide	WTR510 Narrow	WTR510 Wide
A	58"		70"	
B - Retracted	53.5"	63.5"	53.5"	63.5"
C - Extended	101.5"	111.5"	101.5"	111.5"
D - Rotation	90° Arm Rotation Upwards			
Weight	1,000 lbs		1,200 lbs	
E - *Minimum Bale Diameter	60"		60"	
F - Bale Depth	48"		60"	
Handling Capacity	3,000 lbs			
Spears	Heat Treated and Forged			
Spear Adapters	1-1/4" Taper Threaded Style			
G - Lower Spear Mount	Optional (up to 5 additional spears)			
Tractor Adapters	Euro	John Deere 600	Skid Steer	

*In the narrow position the arms will retract to 53.5" but it is recommended to not use on bales less than 60" in diameter because the hooks and knife work best when the bale is compressed.

Narrow Wide



Two mounting options for arms to widen or narrow squeeze



Visit our Website!

HILLCO WRAP TWINE REMOVER

The Hillco Wrap Twine Remover (WTR) safely removes netwrap and/or twine from round bales and large square bales with out the need for the operator to get off the tractor. The WTR can handle 4'x5', 5'x5', 5'x6' round bales or large square bales up to 8'.



1010 1st Avenue, Nezperce, Idaho 83543
www.hillcotechnologies.com
sales@hillcotechnologies.com | 800.937.2461

Uses & Benefits

How it Works



Round bales can be dropped into feed pens without the need to get out of the tractor and cut the bale yourself.



Expedite the grinding process by transporting, cutting, and dumping bales into your tub grinder.



Square bales can be fed into feed pens without the need to get out of the tractor and cut the bale yourself.

Animal Health

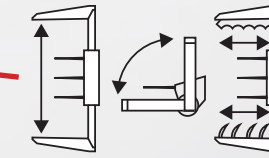
Plastic wraps have been shown to have significant impact on the health of the cattle. Check out this article from *Hay and Forage Grower: Net Wrap Accumulates in Cows Fed Ground Hay.*

Operator Safety

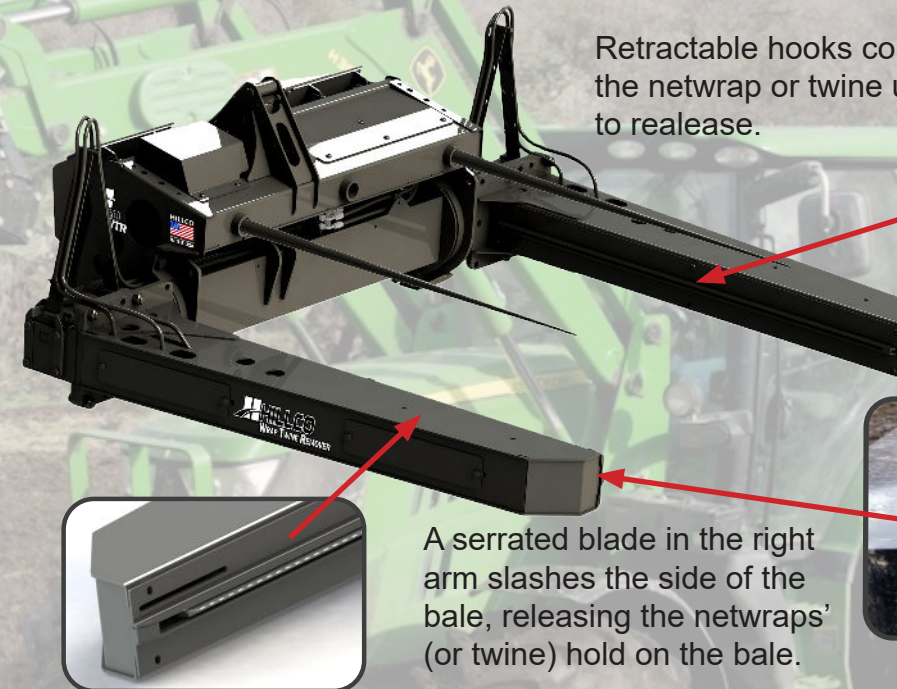
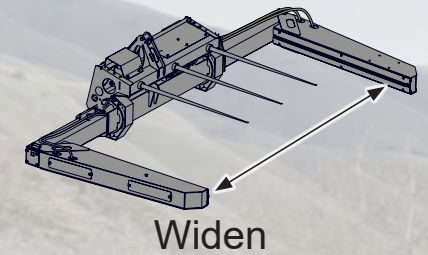
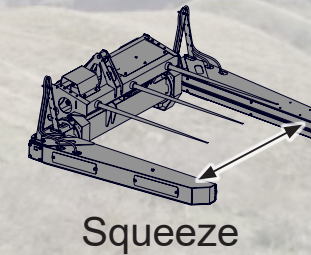
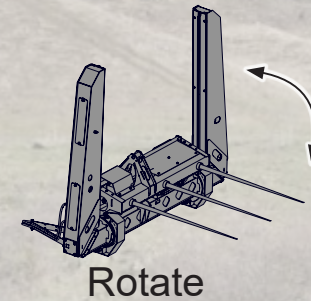
Falls from machinery and injury from animals are some of the most common injuries on the farm. The WTR keeps the operator inside the cab at all times.

Increased Efficiency

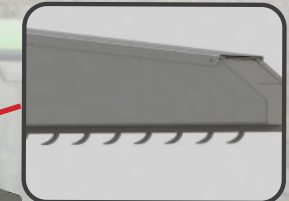
The ability to automatically remove net wrap saves valuable time when compared to manually cutting and removing net wrap by hand.



The switch box allows you to control the Arm **Rotate**, Arm **Squeeze**, and **Cut** functions of the WTR.

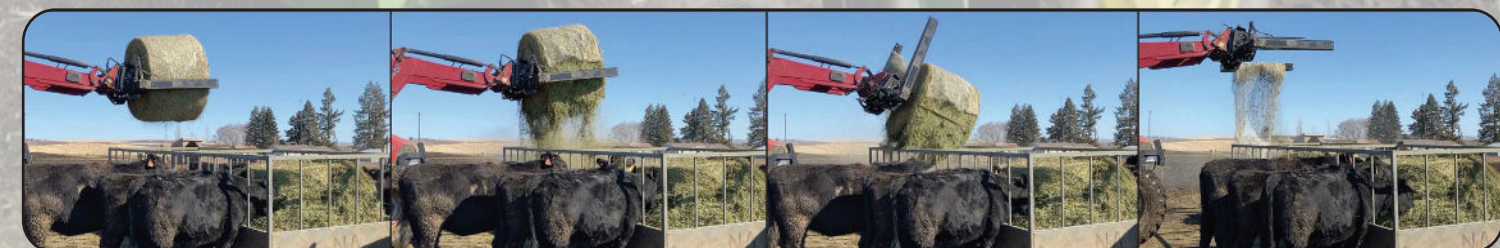


Retractable hooks collect and hold the netwrap or twine until it's ready to release.



A serrated blade in the right arm slashes the side of the bale, releasing the netwraps' (or twine) hold on the bale.

The cover edge hook ensures bales with cover edge can be reached



When the bale is ready to be fed, the cutting knife and hooks are engaged cutting and grabbing the wrap.

After the wrap is cut the hooks hold onto the wrap. The pressure on the squeeze arms is released.

The arms can be rotated up out of the way pulling the wrap off of the bale. The bale is then dumped into the feeder.

The tractor operator can release the hooks and dump the wrap in a pile outside of the pen or in a garbage bin.